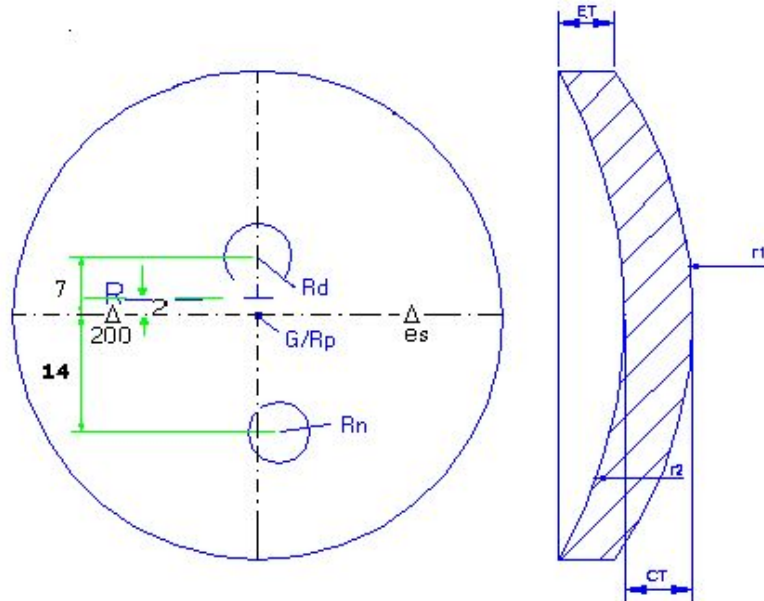


GKB OPHTHALMICS LTD ISO 9001:2008 CERTIFIED	TECHNICAL DATA SHEET (PLASTIC)	Doc. No	GKB/O/P/CR-EY/33
		Issue No.	02
		Issue Date.	6-1-2015
SEMI-FINISHED CR-39 LENSES			
RI 1.498	EYEON		65 MM



PRODUCT RANGE

BASE (dpt)	True curve (dpt)	CONVEX RADIUS (mm)	RCC (dpt)	C.T. (mm)	E.T. (mm)
4.00	3.92	126.94	-6.25	6.50	8.90
5.50	5.31	93.72	-6.25	6.50	7.31

POWER RANGE

BASE (dpt)	ADDITION (dpt)									
	0.75	1.00	1.25	1.50	1.75	2.00	2.25	2.50	2.75	3.00
4.00	*	*	*	*	*	*	*	*	*	*
5.50	*	*	*	*	*	*	*	*	*	*

CT – CENTRE THICKNESS
ET – EDGE THICKNESS

Prepared by SURAJ AROLKAR	Approved by YESHWANT LAWANDE	Page 1 of 1
--	---	--------------------