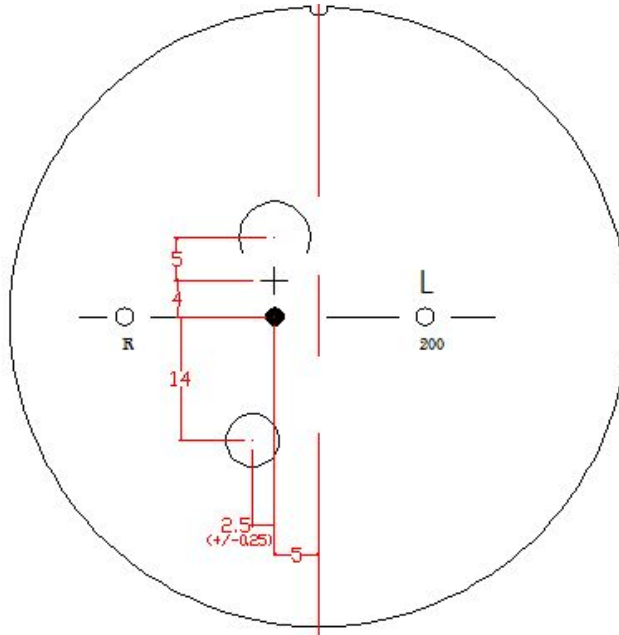


<b>GKB OPHTHALMICS LTD</b> ISO 9001:2008 CERTIFIED	<b>TECHNICAL DATA SHEET (PLASTIC)</b>	Doc. No	GKB/O/P/CR-SEP-NC/28
		Issue No.	07
		Issue Date.	25-10-2014
<b>SEMI-FINISHED CR-39 LENSES</b>			
<b>RI 1.498</b>	<b>PROASPHERICA DIGITAL</b>		<b>70 MM</b>



**PROGRESSIVE REGULAR CORRIDOR**  
 (MINIMUM FITTING HEIGHT = 18 MM)

**PRODUCT RANGE**

BASE (dpt)	True curve (dpt)	CONVEX RADIUS(mm)	RCC(dpt)	C.T.(mm)	E.T.(mm)
1.50	1.38	360.00	-6.25	8.76	14.80
3.50	3.32	150.00	-6.25	8.22	11.82
5.75	5.44	91.60	-6.25	7.00	7.80
7.75	7.37	67.60	-6.25	9.50	7.50

**POWER RANGE**

BASE (dpt)	ADDITION(dpt)									
	0.75	1.00	1.25	1.50	1.75	2.00	2.25	2.50	2.75	3.00
1.50	*	*	*	*	*	*	*	*	*	*
3.50	*	*	*	*	*	*	*	*	*	*
5.75	*	*	*	*	*	*	*	*	*	*
7.75	*	*	*	*	*	*	*	*	*	*

**CT – CENTRE THICKNESS**  
**ET – EDGE THICKNESS**

<b>Prepared by</b>	<b>Approved by</b>	<b>Page 1 of 1</b>
<b>SURAJ AROLKAR</b>	<b>YESHWANT LAWANDE</b>	