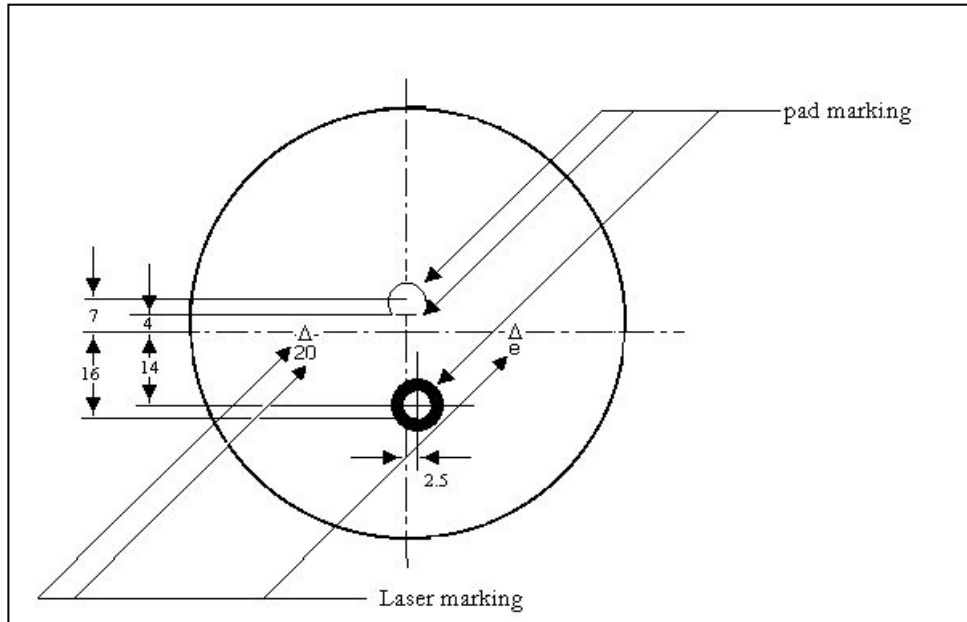


| | | | |
|---|---|-------------|----------------------|
| GKB OPHTHALMICS LTD ISO 9001:2008 CERTIFIED | TECHNICAL DATA SHEET (PLASTIC) | Doc. No | GKB/O/P/CR-SEP-NC/14 |
| | | Issue No. | 07 |
| | | Issue Date. | 22-4-2019 |
| SEMI-FINISHED CR-39 LENSES | | | |
| RI 1.498 | PROASPHERICA – REGULAR CORRIDOR | | 70 MM |

**PROGRESSIVE REGULAR CORRIDOR
(MINIMUM FITTING HEIGHT = 18 MM)**



PRODUCT RANGE

| BASE (dpt) | True curve (dpt) | CONVEX RADIUS (mm) | RCC (dpt) | C.T. (mm) | E.T. (mm) |
|------------|------------------|--------------------|-----------|-----------|-----------|
| 4.00 | 3.91 | 127.37 | -6.25 | 6.50 | 9.16 |
| 5.50 | 5.28 | 94.32 | -6.25 | 6.50 | 7.30 |

POWER RANGE

| BASE (dpt) | ADDITION (dpt) | | | | | | | | | | | |
|------------|----------------|------|------|------|------|------|------|------|------|------|------|------|
| | 0.75 | 1.00 | 1.25 | 1.50 | 1.75 | 2.00 | 2.25 | 2.50 | 2.75 | 3.00 | 3.25 | 3.50 |
| 4.00 | * | * | * | * | * | * | * | * | * | * | * | * |
| 5.50 | * | * | * | * | * | * | * | * | * | * | * | * |

CT – CENTRE THICKNESS

ET – EDGE THICKNESS

| | | |
|-----------------------|----------------------|--------------------|
| Prepared by | Approved by | Page 1 of 1 |
| AMOL MANDREKAR | SURAJ AROLKAR | |