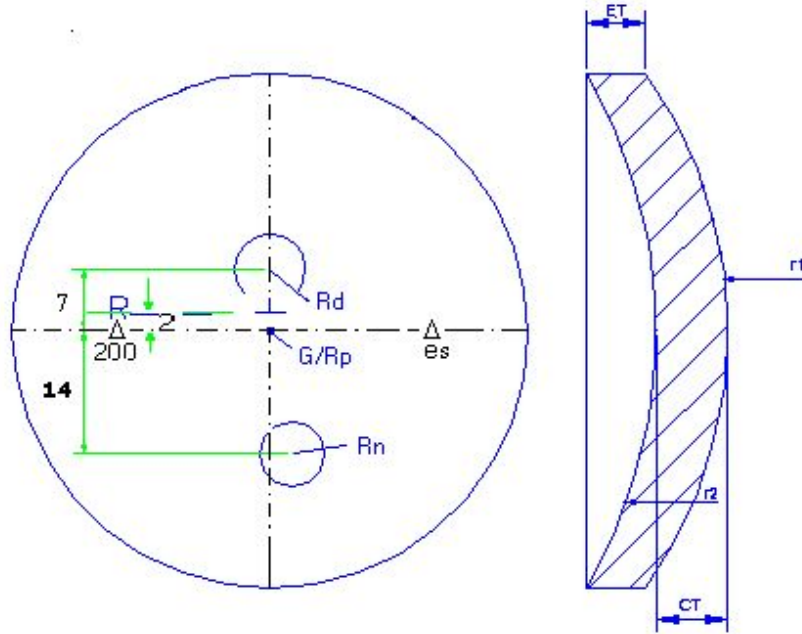


<b>GKB OPHTHALMICS LTD</b> ISO 9001:2008 CERTIFIED	<b>TECHNICAL DATA SHEET (PLASTIC)</b>	Doc. No	GKB/O/P/CR-SEP-SC/15B
		Issue No.	01
		Issue Date.	22-4-2019
<b>SEMI-FINISHED CR-39 LENSES</b>			
<b>RI 1.498</b>	<b>PROASPHERICA – SHORT CORRIDOR 2</b>		<b>70 MM</b>

**PROGRESSIVE SHORT CORRIDOR  
(MINIMUM FITTING HEIGHT = 16 MM)**



**PRODUCT RANGE**

BASE (dpt)	True curve (dpt)	CONVEX RADIUS (mm)	RCC (dpt)	C.T. (mm)	E.T. (mm)
4.00	3.89	127.87	-6.25	6.50	9.16
5.50	5.30	93.97	-6.25	6.50	7.30

**POWER RANGE**

BASE (dpt)	ADDITION (dpt)									
	0.75	1.00	1.25	1.50	1.75	2.00	2.25	2.50	2.75	3.00
4.00	*	*	*	*	*	*	*	*	*	*
5.50	*	*	*	*	*	*	*	*	*	*

**CT – CENTRE THICKNESS  
ET – EDGE THICKNESS**

<b>Prepared by</b>	<b>Approved by</b>	<b>Page 1 of 1</b>
<b>AMOL MANDREKAR</b>	<b>SURAJ AROLKAR</b>	