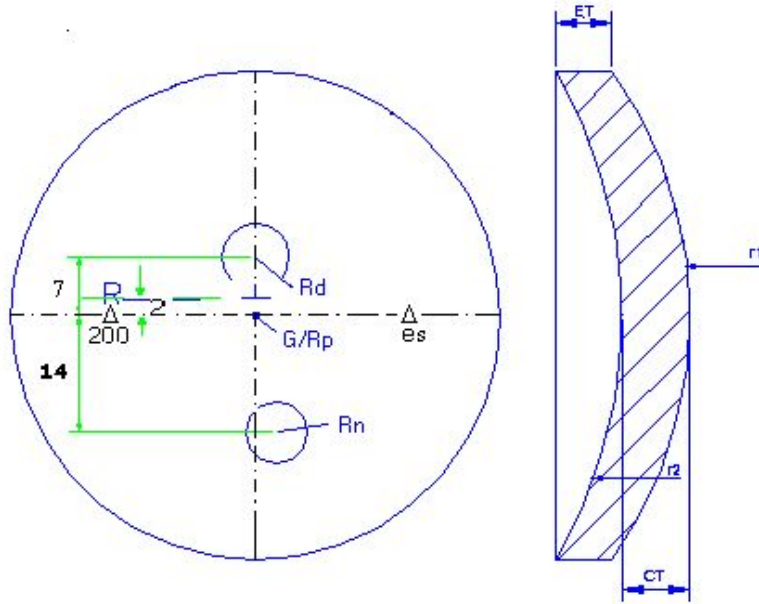


GKB OPHTHALMICS LTD ISO 9001:2008 CERTIFIED	TECHNICAL DATA SHEET (PLASTIC)	Doc. No	GKB/O/P/CR-SEP-SC/15
		Issue No.	05
		Issue Date.	22-4-2019
SEMI-FINISHED CR-39 LENSES			
RI 1.498	PROASPHERICA – SHORT CORRIDOR		70 MM

**PROGRESSIVE SHORT CORRIDOR
(MINIMUM FITTING HEIGHT = 16 MM)**



PRODUCT RANGE

BASE (dpt)	True curve (dpt)	CONVEX RADIUS (mm)	RCC (dpt)	C.T. (mm)	E.T. (mm)
4.00	3.91	127.37	-6.25	6.50	9.16
5.50	5.28	94.32	-6.25	6.50	7.30

POWER RANGE

BASE (dpt)	ADDITION (dpt)									
	0.75	1.00	1.25	1.50	1.75	2.00	2.25	2.50	2.75	3.00
4.00	*	*	*	*	*	*	*	*	*	*
5.50	*	*	*	*	*	*	*	*	*	*

**CT – CENTRE THICKNESS
ET – EDGE THICKNESS**

Prepared by	Approved by	Page 1 of 1
AMOL MANDREKAR	SURAJ AROLKAR	