

GKB VISION LTD

TECHNICAL DATA SHEET

DRAWING NUMBER:GKB/V/B/F/09

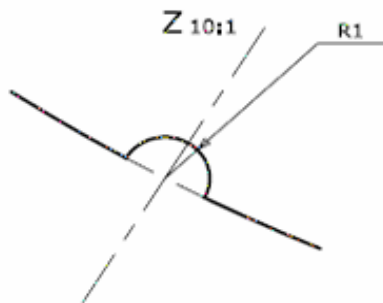
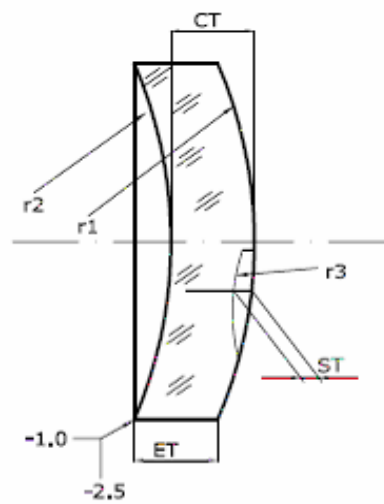
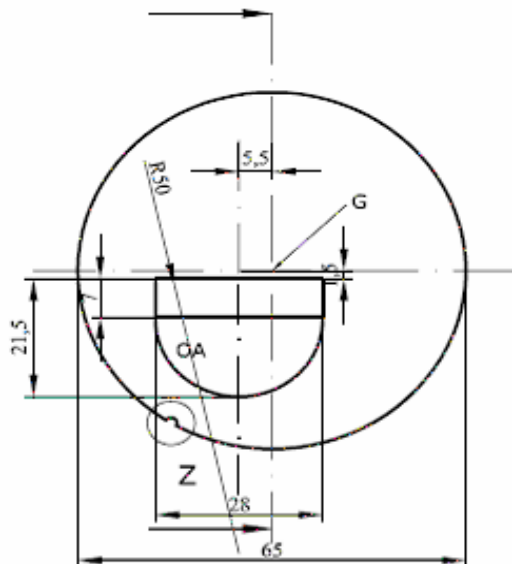
PRODUCT FAMILY :1.5 7XD28 65/71MM

<i>GKB VISION LTD</i>	<i>TECHNICAL DATA SHEET</i>	<i>DRAWING NO:GKB/V/B/F/09</i>
<i>AMENDMENT RECORD</i>		

Sr. No.	Document No with old Issue No.	Details of Amendment	Reasons for making the change	New issue No with Effective Date

Prepared by	Approved by	Page 1 of 1
--------------------	--------------------	--------------------

RevNo	Revision note	Date	Signature	Checked



G geometrical center
 OA optical center addition

r1 convex radius
 r2 concave radius
 r3 countersink radius

ST segment thickness
 CT thickness in geometrical center
 ET edge thickness

TOLERANCES AS PEER THE/ISO/DIN-10322-1

NOTE : ALL DIMENSIONS IN mm

Drawn by VISHAL/NEWTON	Approved by - M. NAIK	File name	DATE-6/11/2009	Scale 1,1
GKB VISION LTD		D 7 X 28 65/71 mm		
		DWG_NO = GKB/V/B/F/09	Rev No : 00	

NAME OF THE PRODUCT : D7X28 65/71 MM
DRAWING NO : GKB/V/B/F/09

ACTUAL FRONT AND BACK CURVE RADIUS

BASE	r1-RADIUS CX(mm)	TRUE CURVE(dpt)	INNER CURVE(dpt)	r2-RADIUS CV(mm)
4.25	127.71	4.15	-6.00	88.33
6.25	85.48	6.20	-6.00	88.33
8.25	65.48	8.09	-6.00	88.33

REVISION NO:00
DATE: 06/11/09

GKB VISION LTD

page 2 of 5

BLANK THICKNESS[mm]

**7D28 65/71mm
SEMIFINISHED**

**mineral 1.525
WHITE**

Addition Power [dpt]	Parameter	BASE					
		0.50	2.00	4.25	6.25	8.25	10.25
0.50	CT/ET						
0.75	CT/ET						
1.00	CT/ET						
1.25	CT/ET						
1.50	CT/ET			7.7/9.7	6.2/6.0	8.8/6.4	
1.75	CT/ET			7.6/9.6	6.0/5.8	8.8/6.4	
2.00	CT/ET			7.7/9.7	6.1/5.9	8.4/6.0	
2.25	CT/ET			7.4/9.4	5.9/5.7	8.3/5.9	
2.50	CT/ET			7.6/9.6	5.8/5.6	8.3/5.9	
2.75	CT/ET			7.7/9.7	5.6/5.4	8.1/5.7	
3.00	CT/ET			7.5/9.5	5.5/5.3	8.0/5.6	
3.25	CT/ET			7.4/9.4	5.8/5.6	7.8/5.4	
3.50	CT/ET			7.3/9.3	5.7/5.5	7.7/5.3	
3.75	CT/ET						
4.00	CT/ET						
4.50	CT/ET						
5.00	CT/ET						
5.50	CT/ET						
6.00	CT/ET						

CT: Center thickness
ET: Edge thickness

MAXIMUM SEGMENT THICKNESS [mm]

**7*D28 65/71mm
SEMIFINISHED**

**mineral 1.525
PGX/WT**

Addition Power [dpt]	BASE					
	0.50	2.00	4.25	6.25	8.25	10.25
0.50						
0.75						
1.00						
1.25						
1.50			1.3	1.3	1.3	
1.75			1.5	1.5	1.5	
2.00			1.7	1.7	1.7	
2.25			1.9	1.9	1.9	
2.50			2.0	2.1	2.1	
2.75			2.2	2.3	2.2	
3.00			2.4	2.5	2.5	
3.25			2.5	2.6	2.6	
3.50			2.7	2.8	2.9	
3.75						
4.00						
4.50						
5.00						
5.50						
6.00						

Rev:1
May-09

GKB VISION LTD

GKB/V/B/F/09
Page 4 of 5

REFRACTIVE INDEX SEGMENT

**7*D28 65/71mm
SEMIFINISHED**

**mineral 1.525
PGX/WT**

Addition Power [dpt]	BASE					
	0.50	2.00	4.25	6.25	8.25	10.25
0.50						
0.75						
1.00						
1.25						
1.50			1.657	1.657	1.657	
1.75			1.657	1.657	1.657	
2.00			1.657	1.657	1.657	
2.25			1.657	1.657	1.657	
2.50			1.657	1.657	1.657	
2.75			1.657	1.657	1.657	
3.00			1.657	1.657	1.657	
3.25			1.657	1.657	1.657	
3.50			1.657	1.657	1.657	
3.75						
4.00						
4.50						
5.00						
5.50						
6.00						

Rev:1
May-09

GKB VISION LTD

GKB/V/B/F/09
Page 5 of 5