

GKB VISION LTD

TECHNICAL DATA SHEET

DRAWING NUMBER:GKB/V/B/F/10

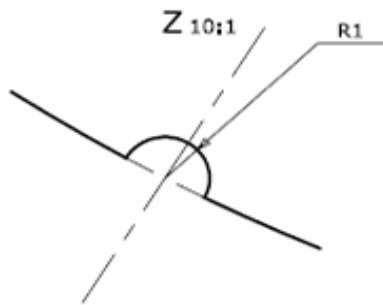
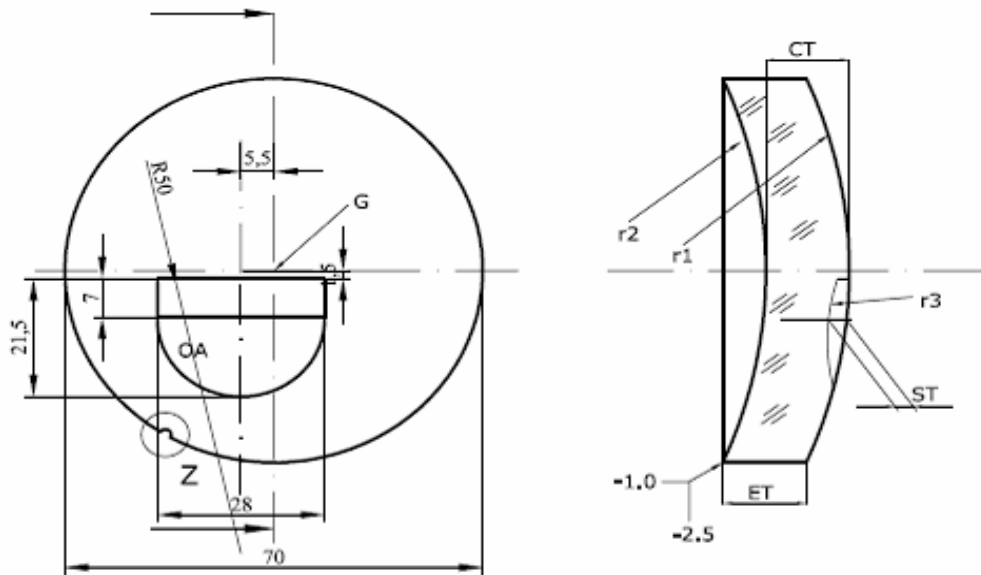
PRODUCT FAMILY :1.5 7xD28 70/77MM

GKB VISION LTD	TECHNICAL DATA SHEET	DRAWING NO:GKB/V/B/F/10
AMENDMENT RECORD		

Sr. No.	Document No with old Issue No.	Details of Amendment	Reasons for making the change	New issue No with Effective Date

Prepared by	Approved by	Page 1 of 1
--------------------	--------------------	--------------------

RevNo	Revision note	Date	Signature	Checked



G geometrical center
 OA optical center addition
 ST segment thickness
 CT thickness in geometrical center
 ET edge thickness

r1 convex radius
 r2 concave radius
 r3 countersink radius

TOLERANCES AS PER ISO DIN -10322-1

NOTE : ALL DIMENSIONS IN mm

Drawn by VISHAL/NEWTON	Approved by - M NAIK	File name	Date 6/11/2009	Scale 1:1
GKB VISION LTD		D 7 X 28 70/76 mm		
		DWG_NO = GKB/V/B/F/10	Rev No : 00	

NAME OF THE PRODUCT : D7X28 70/77 MM
DRAWING NO : GKB/V/B/F/10

ACTUAL FRONT AND BACK CURVE RADIUS

BASE	r1-RADIUS CX(mm)	TRUE CURVE(dpt)	INNER CURVE(dpt)	r2-RADIUS CV(mm)
4.25	127.71	4.15	-6.00	88.33
6.25	85.48	6.20	-6.00	88.33
8.25	65.48	8.09	-6.00	88.33

REVISION NO:00
DATE: 06/11/09

GKB VISION LTD

page 2 of 5

BLANK THICKNESS[mm]

7*D28 70/76mm
SEMIFINISHED

mineral 1.525
PGX/WT

Addition Power [dpt]	Parameter	BASE					
		0.50	2.00	4.25	6.25	8.25	10.25
0.50	CT/ET						
0.75	CT/ET						
1.00	CT/ET						
1.25	CT/ET						
1.50	CT/ET			7.7/10.0	7.3/7.0	9.4/6.5	
1.75	CT/ET			7.6/9.9	7.3/7.0	9.4/6.5	
2.00	CT/ET			7.6/9.9	7.2/6.9	8.9/6.0	
2.25	CT/ET			7.3/9.6	7.0/6.7	8.9/6.0	
2.50	CT/ET			6.2/8.5	6.9/6.6	8.9/6.0	
2.75	CT/ET			5.9/8.2	6.7/6.4	8.7/5.8	
3.00	CT/ET			5.7/8.0	6.6/6.3	8.6/5.7	
3.25	CT/ET			5.6/7.9	5.5/5.2	8.4/5.5	
3.50	CT/ET			5.4/7.7	5.4/5.1	8.3/5.4	
3.75	CT/ET						
4.00	CT/ET						
4.50	CT/ET						
5.00	CT/ET						
5.50	CT/ET						
6.00	CT/ET						

CT: Center thickness
ET: Edge thickness

Rev:1
06/11/09

GKB VISION LTD

GKB/V/B/F/10

Page 2 of 5

MAXIMUM SEGMENT THICKNESS[mm]**7*D28 70/76mm
SEMIFINISHED****mineral 1.525
PGX/WT**

Addition Power [dpt]	BASE					
	0.50	2.00	4.25	6.25	8.25	10.25
0.50						
0.75						
1.00						
1.25						
1.50			1.3	1.3	1.3	
1.75			1.5	1.5	1.5	
2.00			1.7	1.7	1.7	
2.25			1.9	1.9	1.9	
2.50			2.0	2.1	2.1	
2.75			2.2	2.3	2.2	
3.00			2.4	2.5	2.5	
3.25			2.5	2.6	2.6	
3.50			2.7	2.8	2.9	
3.75						
4.00						
4.50						
5.00						
5.50						
6.00						

rev:1

GKB VISION LTD**GKB/V/B/F/10**

06/11/09

Page 3 of 5

REFRACTIVE INDEX SEGMENT

**7*D28 70/76mm
SEMIFINISHED**

**mineral 1.525
PGX/WT**

Addition Power [dpt]	BASE					
	0.50	2.00	4.25	6.25	8.25	10.25
0.50						
0.75						
1.00						
1.25						
1.50			1.657	1.657	1.657	
1.75			1.657	1.657	1.657	
2.00			1.657	1.657	1.657	
2.25			1.657	1.657	1.657	
2.50			1.657	1.657	1.657	
2.75			1.657	1.657	1.657	
3.00			1.657	1.657	1.657	
3.25			1.657	1.657	1.657	
3.50			1.657	1.657	1.657	
3.75						
4.00						
4.50						
5.00						
5.50						
6.00						

rev:01

06/11/09

GKB VISION LTD

GKB/V/B/F/10

Page 5 of 5