

GKB VISION LTD

TECHNICAL DATA SHEET

DRAWING NUMBER:GKB/V/B/F/11

PRODUCT FAMILY :1.5 8XC28 70/76MM

GKB VISION LTD

**TECHNICAL DATA
SHEET**

DRAWING NO:GKB/V/B/F/11

AMENDMENT RECORD

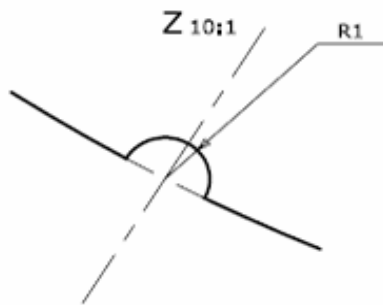
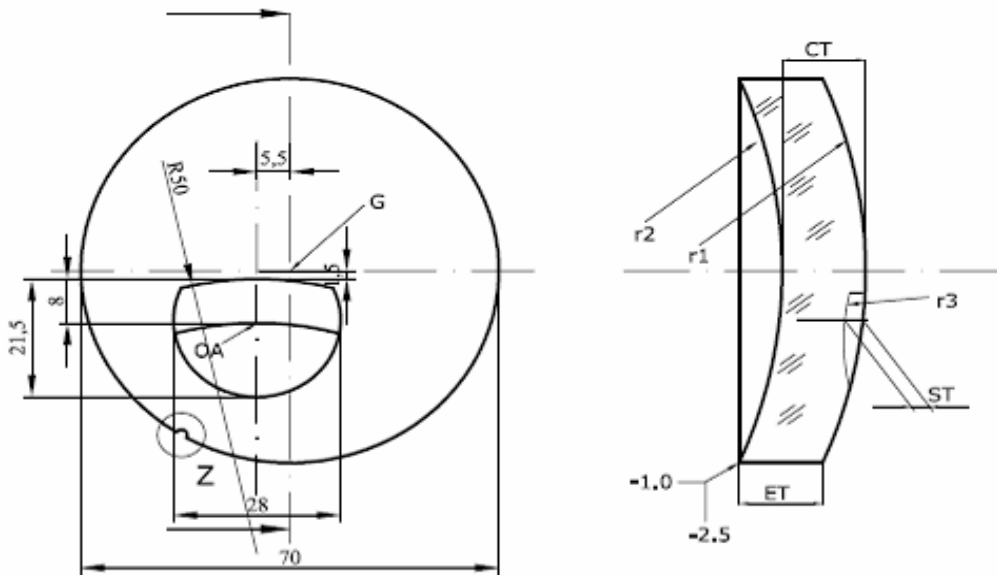
Sr. No.	Document No with old Issue No.	Details of Amendment	Reasons for making the change	New issue No with Effective Date

Prepared by

Approved by

Page 1 of 1

RevNo	Revision note	Date	Signature	Checked



- | | | | |
|----|---------------------------------|--|--------------------|
| G | geometrical center | r1 | convex radius |
| OA | optical center addition | r2 | concave radius |
| ST | segment thickness | r3 | countersink radius |
| CT | thickness in geometrical center | TOLERANCES AS PER THE /ISO/DIN-10322-1 | |
| ET | edge thickness | | |

NOTE : ALL DIMENSIONS IN mm

Drawn by VISHAL/NEWTON	Approved by -M. NAIK	File name:-	Date 6/11/2009	Scale 1:1
GKB VISION LTD		C 8 X 28 70/76 mm		
		DWG_NO = GKB/V/B/F/11	Rev No : 00	

NAME OF THE PRODUCT : 8XC28 70/76 MM
DRAWING NO : GKB/V/B/F/11

ACTUAL FRONT AND BACK CURVE RADIUS

BASE	r1-RADIUS CX(mm)	TRUE CURVE(dpt)	INNER CURVE(dpt)	r2-RADIUS CV (mm)
4.25	127.71	4.15	-6.00	88.33
6.25	85.48	6.20	-6.00	88.33
8.25	65.48	8.09	-6.00	88.33

REVISION NO:00
DATE: 06/11/09

GKB VISION LTD

page 2 of 5

BLANK THICKNESS[mm]

**8*C28 70/76mm
SEMIFINISHED**

**mineral 1.525
WHITE**

Addition Power [dpt]	Parameter	BASE					
		0.50	2.00	4.25	6.25	8.25	10.25
0.50	CT/ET						
0.75	CT/ET						
1.00	CT/ET						
1.25	CT/ET						
1.50	CT/ET			7.7/10.0	7.3/7.0	9.4/6.5	
1.75	CT/ET			7.6/9.9	7.3/7.0	9.4/6.5	
2.00	CT/ET			7.6/9.9	7.2/6.9	8.9/6.0	
2.25	CT/ET			7.3/9.6	7.0/6.7	8.9/6.0	
2.50	CT/ET			7.6/9.9	6.9/6.6	8.9/6.0	
2.75	CT/ET			7.6/9.9	6.7/6.4	8.7/5.8	
3.00	CT/ET			7.4/9.7	6.6/6.3	8.6/5.7	
3.25	CT/ET			7.3/9.6	6.9/6.6	8.4/5.5	
3.50	CT/ET			7.2/9.5	6.8/6.5	8.3/5.4	
3.75	CT/ET						
4.00	CT/ET						
4.50	CT/ET						
5.00	CT/ET						

CT: Center thickness
ET: Edge thickness

Rev:1

GKB VISION LTD

GKB/V/B/F/11

06/11/09

Page 3 of 5

MAXIMUM SEGMENT THICKNESS[mm]

**C8*28 70/76mm
SEMIFINISHED**

**mineral 1.525
WHITE**

Addition Power [dpt]	BASE					
	0.50	2.00	4.25	6.25	8.25	10.25
0.50						
0.75						
1.00						
1.25						
1.50			1.3	1.3	1.3	
1.75			1.5	1.5	1.5	
2.00			1.7	1.7	1.7	
2.25			1.9	1.9	1.9	
2.50			1.5	2.1	2.1	
2.75			1.7	2.3	2.2	
3.00			1.9	2.5	2.5	
3.25			2.0	2.0	2.6	
3.50			2.2	2.2	2.9	
3.75						
4.00						
4.50						
5.00						

Rev:1

GKB VISION LTD

GKB/V/B/F11

page 4 of 5

REFRACTIVE INDEX SEGMENT

**C8*28 70/76mm
SEMIFINISHED**

**mineral 1.525
WHITE**

Addition Power [dpt]	BASE					
	0.50	2.00	4.25	6.25	8.25	10.25
0.50						
0.75						
1.00						
1.25						
1.50			1.657	1.657	1.657	
1.75			1.657	1.657	1.657	
2.00			1.657	1.657	1.657	
2.25			1.657	1.657	1.657	
2.50			1.706	1.657	1.657	
2.75			1.706	1.657	1.657	
3.00			1.706	1.657	1.657	
3.25			1.706	1.706	1.657	
3.50			1.706	1.706	1.657	
3.75						
4.00						
4.50						
5.00						

Rev:1
May-09

GKB VISION LTD

**GKB/V/B/F/11
Page 5 of 5**