

# **GKB VISION LTD**

## **TECHNICAL DATA SHEET**

**DRAWING NUMBER:GKB/V/B/F/05**

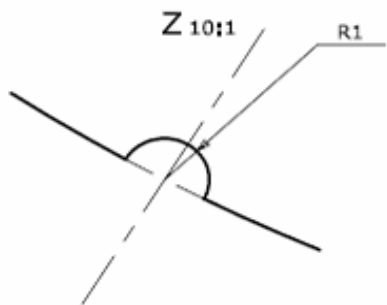
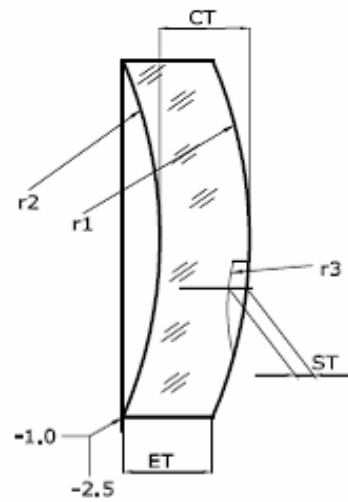
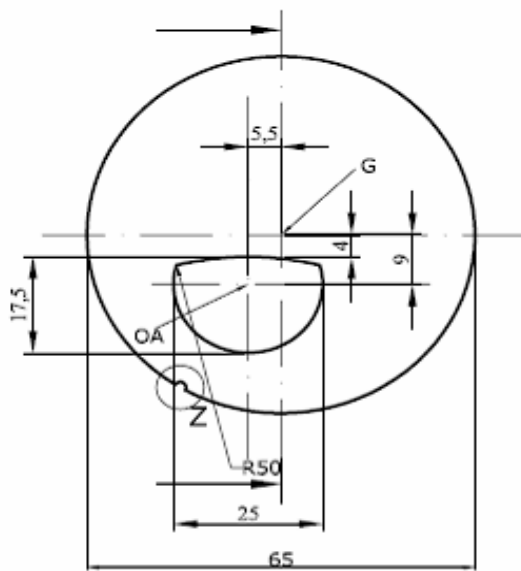
**PRODUCT FAMILY :1.5 C25 65/71MM**

<b>GKB VISION LTD</b>	<b>TECHNICAL DATA SHEET</b>	<b>DRAWING NO:GKB/V/B/E/05</b>
<b>AMENDMENT RECORD</b>		

<b>Sr. No.</b>	<b>Document No with old Issue No.</b>	<b>Details of Amendment</b>	<b>Reasons for making the change</b>	<b>New issue No with Effective Date</b>

<b>Prepared by</b>	<b>Approved by</b>	<b>Page 1 of 1</b>
--------------------	--------------------	--------------------

RevNo	Revision note	Date	Signature	Checked



G geometrical center  
 OA optical center addition

r1 convex radius  
 r2 concave radius  
 r3 countersink radius

ST segment thickness  
 CT thickness in geometrical center  
 ET edge thickness

TOLERANCES AS PER /ISO/DIN/10322-1

NOTE : ALL DIMENSIONS IN mm

Drawn by VISHAL/NEWTON	Approved by - M.NAIK	File name	Date-6/11/2009	Scale 1:1
GKB VISION LTD		C 25 65 / 71 mm		
		DWG_NO = GKB/V/B/F/05	Rev No : 00	

Drawing no :GKB/V/B/F/05  
Product family : C25 65/71 mm

**ACTUAL FRONT AND BACK CURVE RADIUS**

<b>BASE</b>	<b>r1-RADIUS CX(mm)</b>	<b>TRUE CURVE(dpt)</b>	<b>INNER CURVE(dpt)</b>	<b>r2-RADIUS CV(mm)</b>
0.50	1060.00	0.50	-6.00	88.33
2.00	265.00	2.00	-6.00	88.33
4.25	127.71	4.15	-6.00	88.33
6.25	85.48	6.20	-6.00	88.33
8.25	65.48	8.09	-6.00	88.33
10.25	52.53	10.09	-6.00	88.33

Rev:1  
Jun-09

**GKB VISION LTD**

**GKB/V/B/F/05**  
**Page 2 of 5**

## BLANK THICKNESS[mm]

**C25 65/71mm  
SEMIFINISHED**

**mineral 1.525  
WHITE,PBX,PGX**

Addition Power	BASE						
[dpt]	Parameter	0.50	2.00	4.25	6.25	8.25	10.25
<b>0.50</b>	<b>CT/ET</b>			7.3/9.6	6.2/6.0	8.9/6.5	
<b>0.75</b>	<b>CT/ET</b>		7.6/11.8	7.4/9.4	5.9/5.7	8.5/6.1	11.0/5.9
<b>1.00</b>	<b>CT/ET</b>	9.9/15.6	7.3/11.5	7.4/9.4	5.8/5.6	8.0/5.6	10.7/5.6
<b>1.25</b>	<b>CT/ET</b>	10.0/15.7	7.5/11.7	7.3/9.3	6.3/6.1	7.9/5.5	10.3/5.2
<b>1.50</b>	<b>CT/ET</b>	9.9/15.6	7.6/11.8	7.4/9.4	5.9/5.7	8.5/6.1	9.9/4.8
<b>1.75</b>	<b>CT/ET</b>	9.8/15.5	7.5/11.7	7.3/9.3	5.7/5.5	8.5/6.1	10.9/5.8
<b>2.00</b>	<b>CT/ET</b>	10.0/15.7	7.6/11.8	7.4/9.4	5.8/5.6	8.0/5.6	10.9/5.8
<b>2.25</b>	<b>CT/ET</b>	9.9/15.6	7.6/11.8	7.0/9.3	5.5/5.3	7.9/5.5	10.6/5.5
<b>2.50</b>	<b>CT/ET</b>	9.1/14.8	7.5/11.7	7.3/9.3	5.4/5.2	7.9/5.5	10.3/5.2
<b>2.75</b>	<b>CT/ET</b>	9.5/15.2	7.3/11.5	7.4/9.4	5.1/4.9	7.6/5.2	10.1/5.0
<b>3.00</b>	<b>CT/ET</b>	9.5/15.2	7.2/11.4	7.1/9.1	5.0/4.8	7.5/5.1	9.9/4.8
<b>3.25</b>	<b>CT/ET</b>	9.2/14.9	7.0/11.2	7.0/9.0	5.5/5.3	7.3/4.9	9.6/4.5
<b>3.50</b>	<b>CT/ET</b>	9.1/14.8	7.0/11.2	6.9/8.9	5.2/5.0	7.1/4.7	9.5/4.4
<b>3.75</b>	<b>CT/ET</b>	8.9/14.6	6.7/10.9	6.8/8.8	5.1/4.9	6.9/4.5	9.3/4.2
<b>4.00</b>	<b>CT/ET</b>	8.8/14.5	6.4/10.6	6.6/8.6	5.0/4.8	7.5/5.1	9.1/4.0
<b>4.50</b>	<b>CT/ET</b>			6.2/8.2	4.6/4.4	7.1/4.7	
<b>5.00</b>	<b>CT/ET</b>			5.9/7.9	4.4/4.2	6.9/4.5	
<b>5.50</b>					4.0/3.8	6.6/4.2	
<b>6.00</b>					3.7/3.5	6.3/3.9	

CT: Center thickness  
ET: Edge thickness

Rev:1  
May-09

**GKB VISION LTD**

**GKB/V/B/F/05  
PAGE 3 OF 5**

**MAXIMUM SEGMENT THICKNESS [mm]**

**C25 65/71mm  
SEMIFINISHED**

**mineral 1.525  
WHITE,PBX,PGX**

<b>Addition Power [dpt]</b>	<b>BASE</b>					
	<b>0.50</b>	<b>2.00</b>	<b>4.25</b>	<b>6.25</b>	<b>8.25</b>	<b>10.25</b>
<b>0.50</b>			0.9	0.8	0.7	
<b>0.75</b>		1.1	1.0	1.1	1.1	1.0
<b>1.00</b>	0.7	0.8	1.4	1.4	1.4	1.4
<b>1.25</b>	0.9	0.9	0.9	0.9	1.7	1.7
<b>1.50</b>	1.1	1.1	1.0	1.1	1.1	2.0
<b>1.75</b>	1.3	1.2	1.3	1.2	1.2	1.2
<b>2.00</b>	1.0	1.0	1.4	1.4	1.4	1.4
<b>2.25</b>	1.2	1.2	1.6	1.5	1.5	1.5
<b>2.50</b>	1.7	1.3	1.3	1.7	1.7	1.7
<b>2.75</b>	1.4	1.4	1.4	1.8	1.8	1.9
<b>3.00</b>	1.5	1.5	1.5	2.0	2.0	2.0
<b>3.25</b>	1.6	1.7	1.6	1.6	2.1	2.1
<b>3.50</b>	1.7	1.8	1.7	1.7	2.3	2.3
<b>3.75</b>	1.9	1.9	1.9	1.8	2.5	2.5
<b>4.00</b>	2.0	2.0	2.0	2.0	2.0	2.6
<b>4.50</b>			2.2	2.2	2.2	
<b>5.00</b>			2.5	2.5	2.5	
<b>5.50</b>				2.7	2.7	
<b>6.00</b>				3.0	2.9	

Rev:1  
May-09

**GKB VISION LTD**

**GKB/V/B/F/05**  
page 4 of 5

**REFRACTIVE INDEX SEGMENT**

**C25 65/71mm  
SEMIFINISHED**

**mineral 1.525  
WHITE,PBX,PGX**

<b>Addition</b>	<b>BASE</b>					
<b>Power</b>						
<b>[dpt]</b>	<b>0.50</b>	<b>2.00</b>	<b>4.25</b>	<b>6.25</b>	<b>8.25</b>	<b>10.25</b>
<b>0.50</b>			1.591	1.591	1.591	
<b>0.75</b>		1.591	1.591	1.591	1.591	1.591
<b>1.00</b>	1.657	1.657	1.591	1.591	1.591	1.591
<b>1.25</b>	1.657	1.657	1.657	1.657	1.591	1.591
<b>1.50</b>	1.657	1.657	1.657	1.657	1.657	1.591
<b>1.75</b>	1.657	1.657	1.657	1.657	1.657	1.657
<b>2.00</b>	1.706	1.706	1.657	1.657	1.657	1.657
<b>2.25</b>	1.706	1.706	1.657	1.657	1.657	1.657
<b>2.50</b>	1.657	1.706	1.706	1.657	1.657	1.657
<b>2.75</b>	1.706	1.706	1.706	1.657	1.657	1.657
<b>3.00</b>	1.706	1.706	1.706	1.657	1.657	1.657
<b>3.25</b>	1.706	1.706	1.706	1.706	1.657	1.657
<b>3.50</b>	1.706	1.706	1.706	1.706	1.657	1.657
<b>3.75</b>	1.706	1.706	1.706	1.706	1.657	1.657
<b>4.00</b>	1.706	1.706	1.706	1.706	1.706	1.657
<b>4.50</b>			1.706	1.706	1.706	
<b>5.00</b>			1.706	1.706	1.706	
<b>5.50</b>				1.706	1.706	
<b>6.00</b>				1.706	1.706	