

# **GKB VISION LTD**

## **TECHNICAL DATA SHEET**

**DRAWING NUMBER:GKB/V/B/F/21**

**PRODUCT FAMILY :1.5 C28 T 70/76MM**

**GKB VISION LTD**

**TECHNICAL DATA  
SHEET**

**DRAWING NO:GKB/V/B/F/21**

**AMENDMENT RECORD**

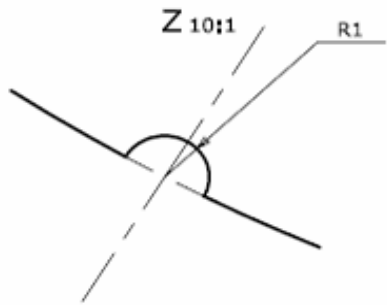
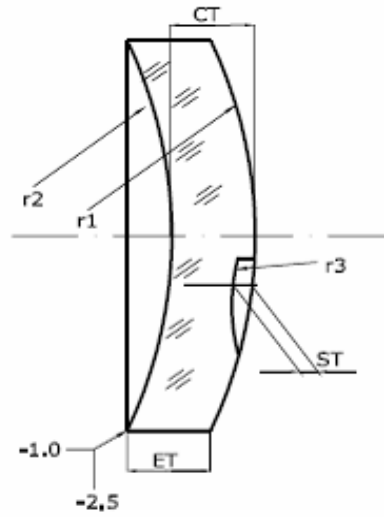
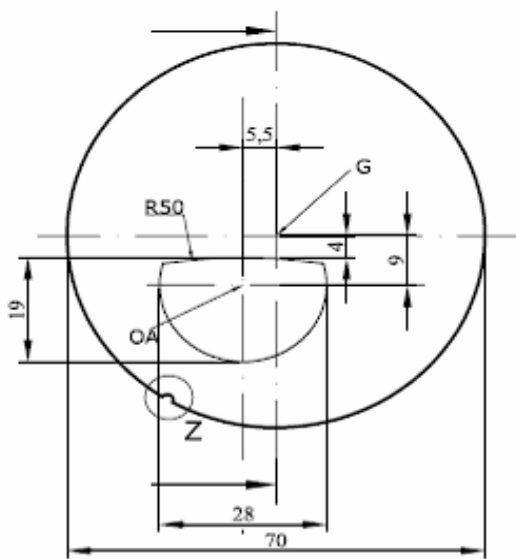
<b>Sr. No.</b>	<b>Document No with old Issue No.</b>	<b>Details of Amendment</b>	<b>Reasons for making the change</b>	<b>New issue No with Effective Date</b>

**Prepared by**

**Approved by**

**Page 1 of 1**

RevNo	Revision note	Date	Signature	Checked



G geometrical center  
 OA optical center addition  
 ST segment thickness  
 CT thickness in geometrical center  
 ET edge thickness

r1 convex radius  
 r2 concave radius  
 r3 countersink radius

TOLERANCES AS PER /ISO/DIN/10322-1

NOTE : ALL DIMENSIONS IN mm

Drawn by VISHAL/NEWTON	Approved by - M.NAIK	File name	Date-6/11/2009	Scale 1:1
GKB VISION LTD		C 28, T 70/ 76 mm		
		DWG_NO = GKB/V/B/F/21	Rev No : 00	

NAME OF THE PRODUCT : C28 T 70/76 MM  
DRAWING NO : GKB/V/B/F/21

**ACTUAL FRONT AND BACK CURVE RADIUS**

BASE	r1-RADIUS CX(mm)	TRUE CURVE(dpt)	INNER CURVE(dpt)	r2-RADIUS CV(mm)
2.00	265.00	2.00	-6.00	88.33
4.25	127.71	4.15	-6.00	88.33
6.25	85.48	6.20	-6.00	88.33
8.25	65.48	8.09	-6.00	88.33

REVISION NO:00  
DATE: 06/11/09

GKB VISION LTD

page 2 of 5

## BLANK THICKNESS[mm]

**C28 T 70/76mm Extra Thick  
SEMIFINISHED**

**mineral 1.525  
WHITE**

Addition Power [dpt]	Parameter	BASE					
		0.50	2.00	4.25	6.25	8.25	10.25
0.50	CT/ET	-	-	-	-	-	-
0.75	CT/ET	-	14.1/19.2	14.3/16.7	17.9/17.6	18.0/14.9	-
1.00	CT/ET	-	14.4/19.5	14.0/16.4	17.6/17.4	17.8/14.8	-
1.25	CT/ET	-	14.3/19.3	14.4/16.8	17.7/17.4	17.4/14.4	-
1.50	CT/ET	-	14.1/19.2	14.3/16.7	17.9/17.6	18.0/14.9	-
1.75	CT/ET	-	14.0/19.0	14.0/16.4	17.8/17.5	17.9/14.9	-
2.00	CT/ET	-	14.3/19.3	14.0/16.4	17.6/17.4	17.8/14.8	-
2.25	CT/ET	-	14.0/19.1	13.7/16.1	17.4/17.2	17.5/14.5	-
2.50	CT/ET	-	14.0/19.0	14.0/16.4	17.4/17.1	17.4/14.4	-
2.75	CT/ET	-	13.8/18.9	14.0/16.4	17.2/16.9	17.2/14.2	-
3.00	CT/ET	-	13.8/18.8	13.8/16.2	17.0/16.7	17.1/14.1	-
3.25	CT/ET	-	13.6/18.7	13.7/16.1	17.4/17.1	16.9/13.9	-
3.50	CT/ET	-	13.5/18.6	13.5/15.9	17.3/17.0	16.7/13.7	-
3.75	CT/ET	-	13.3/18.4	13.5/15.9	17.2/16.9	16.7/13.6	-
4.00	CT/ET	-	13.1/18.2	13.3/15.7	17.0/16.7	17.1/14.1	-
4.50	CT/ET	-					-
5.00	CT/ET	-	-	-	-	-	-
5.50	CT/ET	-	-	-	-	-	-
6.00	CT/ET	-	-	-	-	-	-

CT: Center thickness  
ET: Edge thickness

## MAXIMUM SEGMENT THICKNESS[mm]

**C28 T 70/76mm Extra Thick  
SEMIFINISHED**

**mineral 1.525  
WHITE**

Addition Power	BASE						
	[dpt]	0.50	2.00	4.25	6.25	8.25	10.25
0.50	-	-	-	-	-	-	-
0.75	-	1.3	1.3	1.3	1.3	1.3	-
1.00	-	0.9	1.7	1.7	1.7	1.7	-
1.25	-	1.1	1.1	1.1	1.1	2.1	-
1.50	-	1.3	1.3	1.3	1.3	1.3	-
1.75	-	1.5	1.5	1.5	1.5	1.5	-
2.00	-	1.3	1.7	1.7	1.7	1.7	-
2.25	-	1.4	1.9	1.9	1.9	1.9	-
2.50	-	1.6	1.5	2.1	2.1	2.1	-
2.75	-	1.7	1.7	2.3	2.2	2.2	-
3.00	-	1.9	1.9	2.5	2.5	2.5	-
3.25	-	2.1	2.0	2.0	2.6	2.6	-
3.50	-	2.2	2.2	2.2	2.9	2.9	-
3.75	-	2.3	2.3	2.3	3.1	3.1	-
4.00	-	2.5	2.5	2.5	2.5	2.5	-
4.50	-	-	-	-	-	-	-
5.00	-	-	-	-	-	-	-
5.50	-	-	-	-	-	-	-
6.00	-	-	-	-	-	-	-

Rev:1  
May-09

**GKB VISION LTD**

**GKB/V/B/F/21**  
**Page 4 of 5**

## REFRACTIVE INDEX SEGMENT

**C28 T 70/76mm Extra Thick  
SEMIFINISHED**

**mineral 1.525  
WHITE**

Addition Power [dpt]	BASE					
	0.50	2.00	4.25	6.25	8.25	10.25
0.50	-	-	-	-	-	-
0.75	-	1.591	1.591	1.591	1.591	-
1.00	-	1.657	1.591	1.591	1.591	-
1.25	-	1.657	1.657	1.657	1.591	-
1.50	-	1.657	1.657	1.657	1.657	-
1.75	-	1.657	1.657	1.657	1.657	-
2.00	-	1.706	1.657	1.657	1.657	-
2.25	-	1.706	1.657	1.657	1.657	-
2.50	-	1.706	1.706	1.657	1.657	-
2.75	-	1.706	1.706	1.657	1.657	-
3.00	-	1.706	1.706	1.657	1.657	-
3.25	-	1.706	1.706	1.706	1.657	-
3.50	-	1.706	1.706	1.706	1.657	-
3.75	-	1.706	1.706	1.706	1.657	-
4.00	-	1.706	1.706	1.706	1.706	-
4.50	-	-	-	-	-	-
5.00	-	-	-	-	-	-
5.50	-	-	-	-	-	-
6.00	-	-	-	-	-	-

Rev:1  
May-09

**GKB VISION LTD**

**GKB/V/B/F/21**  
**Page 5 of 5**