

GKB VISION LTD

TECHNICAL DATA SHEET

DRAWING NUMBER:GKB/V/B/F/07

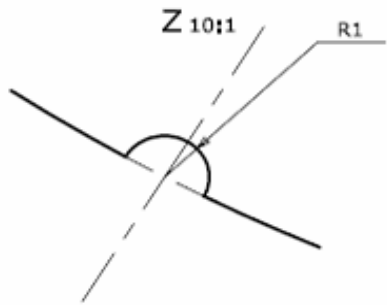
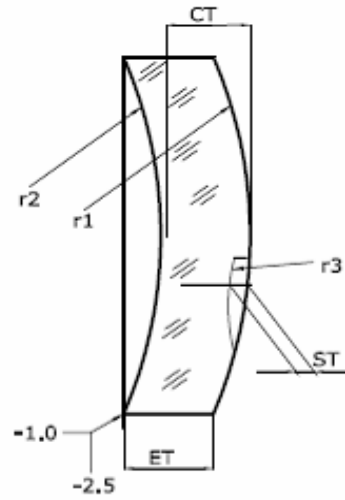
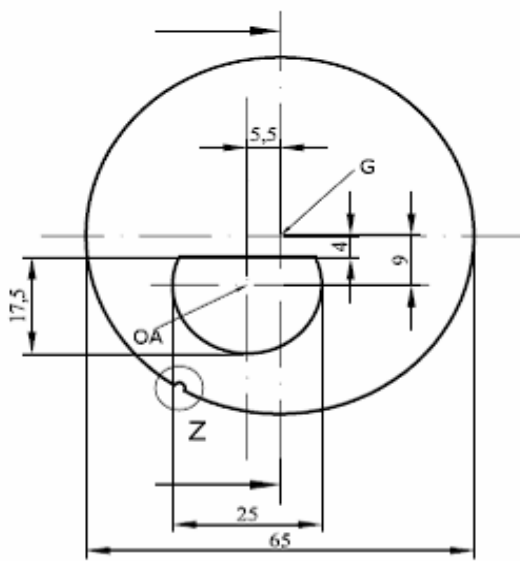
PRODUCT FAMILY :1.5 D25 65/71MM

GKB VISION LTD	TECHNICAL DATA SHEET	DRAWING NO:GKB/V/B/F/07
AMENDMENT RECORD		

Sr. No.	Document No with old Issue No.	Details of Amendment	Reasons for making the change	New issue No with Effective Date

Prepared by	Approved by	Page 1 of 1
--------------------	--------------------	--------------------

RevNo	Revision note	Date	Signature	Checked



- G geometrical center
- OA optical center addition
- ST segment thickness
- CT thickness in geometrical center
- ET edge thickness

- r1 convex radius
- r2 concave radius
- r3 countersink radius

TOLERANCES AS PER /ISO/DIN/10322-1

NOTE : ALL DIMENSIONS IN mm

Drawn by VISHAL/NEWTON	Approved by - M. NAIK	File name	Date-6/11/2009	Scale 1:1
GKB VISION LTD		D 25 65 / 71 mm		
DWG_NO = GKB/V/B/F/07		Rev No : 00		

ACTUAL FRONT AND BACK CURVE RADIUS

BASE	r1-RADIUS CX (mm)	TRUE CURVE(dpt)	INNER CURVE(dpt)	r2- RADIUS CV(mm)
2.00	265.00	2.00	-6.00	88.33
4.25	127.71	4.15	-6.00	88.33
6.25	85.48	6.20	-6.00	88.33
8.25	65.48	8.09	-6.00	88.33

BLANK THICKNESS[mm]

**D25 65/71mm
SEMIFINISHED**

**mineral 1.525
WHITE,PBX,PGX**

Addition Power	BASE						
[dpt]	Parameter	0.50	2.00	4.25	6.25	8.25	10.25
0.50	CT/ET						
0.75	CT/ET		7.6/11.8	7.4/9.4	5.9/5.7	8.5/6.1	11.0/5.9
1.00	CT/ET	9.9/15.6	7.3/11.5	7.4/9.4	5.8/5.6	8.0/5.6	10.7/5.6
1.25	CT/ET	10.0/15.7	7.5/11.7	7.3/9.3	6.3/6.1	7.9/5.5	10.3/5.2
1.50	CT/ET	9.9/15.6	7.6/11.8	7.4/9.4	5.9/5.7	8.5/6.1	9.9/4.8
1.75	CT/ET	9.8/15.5	7.5/11.7	7.3/9.3	5.7/5.5	8.5/6.1	10.9/5.8
2.00	CT/ET	10.0/15.7	7.6/11.8	7.4/9.4	5.8/5.6	8.0/5.6	10.9/5.8
2.25	CT/ET	9.9/15.6	7.6/11.8	7.0/9.3	5.5/5.3	7.9/5.5	10.6/5.5
2.50	CT/ET	9.1/14.8	7.5/11.7	7.3/9.3	5.4/5.2	7.9/5.5	10.3/5.2
2.75	CT/ET	9.5/15.2	7.3/11.5	7.4/9.4	5.1/4.9	7.6/5.2	10.1/5.0
3.00	CT/ET	9.5/15.2	7.2/11.4	7.1/9.1	5.0/4.8	7.5/5.1	9.9/4.8
3.25	CT/ET	9.2/14.9	7.0/11.2	7.0/9.0	5.5/5.3	7.3/4.9	9.6/4.5
3.50	CT/ET	9.1/14.8	7.0/11.2	6.9/8.9	5.2/5.0	7.1/4.7	9.5/4.4
3.75	CT/ET	8.9/14.6	6.7/10.9	6.8/8.8	5.1/4.9	6.9/4.5	9.3/4.2
4.00	CT/ET	8.8/14.5	6.4/10.6	6.6/8.6	5.0/4.8	7.5/5.1	9.1/4.0
4.50	CT/ET						
5.00	CT/ET						
5.50							
6.00							

CT: Center thickness
ET: Edge thickness

Rev:1
May-09

GKB VISION LTD

GKB/V/B/F/07
Page 3 of 5

MAXIMUM SEGMENT THICKNESS [mm]

**D25 65/71mm
SEMIFINISHED**

**mineral 1.525
WHITE,PBX,PGX**

Addition Power [dpt]	BASE					
	0.50	2.00	4.25	6.25	8.25	10.25
0.50						
0.75		1.1	1.0	1.1	1.1	1.0
1.00	0.7	0.8	1.4	1.4	1.4	1.4
1.25	0.9	0.9	0.9	0.9	1.7	1.7
1.50	1.1	1.1	1.0	1.1	1.1	2.0
1.75	1.3	1.2	1.3	1.2	1.2	1.2
2.00	1.0	1.0	1.4	1.4	1.4	1.4
2.25	1.2	1.2	1.6	1.5	1.5	1.5
2.50	1.7	1.3	1.3	1.7	1.7	1.7
2.75	1.4	1.4	1.4	1.8	1.8	1.9
3.00	1.5	1.5	1.5	2.0	2.0	2.0
3.25	1.6	1.7	1.6	1.6	2.1	2.1
3.50	1.7	1.8	1.7	1.7	2.3	2.3
3.75	1.9	1.9	1.9	1.8	2.5	2.5
4.00	2.0	2.0	2.0	2.0	2.0	2.6
4.50						
5.00						
5.50						
6.00						

Rev:1
06/11/09

GKB VISION LTD

Page 4 of 5

GKB/V/B/F/07

REFRACTIVE INDEX SEGMENT

**D25 65/71mm
SEMIFINISHED**

**mineral 1.525
WHITE,PBX,PGX**

Addition	BASE					
Power						
[dpt]	0.50	2.00	4.25	6.25	8.25	10.25
0.50						
0.75		1.591	1.591	1.591	1.591	1.591
1.00	1.657	1.657	1.591	1.591	1.591	1.591
1.25	1.657	1.657	1.657	1.657	1.591	1.591
1.50	1.657	1.657	1.657	1.657	1.657	1.591
1.75	1.657	1.657	1.657	1.657	1.657	1.657
2.00	1.706	1.706	1.657	1.657	1.657	1.657
2.25	1.706	1.706	1.657	1.657	1.657	1.657
2.50	1.657	1.706	1.706	1.657	1.657	1.657
2.75	1.706	1.706	1.706	1.657	1.657	1.657
3.00	1.706	1.706	1.706	1.657	1.657	1.657
3.25	1.706	1.706	1.706	1.706	1.657	1.657
3.50	1.706	1.706	1.706	1.706	1.657	1.657
3.75	1.706	1.706	1.706	1.706	1.657	1.657
4.00	1.706	1.706	1.706	1.706	1.706	1.657
4.50						
5.00						
5.50						
6.00						