

GKB VISION LTD

TECHNICAL DATA SHEET

DRAWING NUMBER:GKB/V/B/F/03

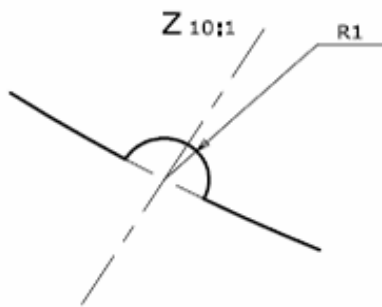
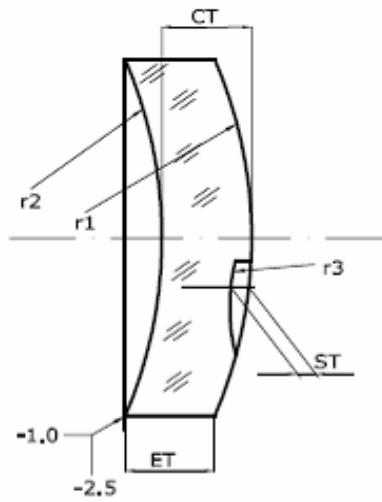
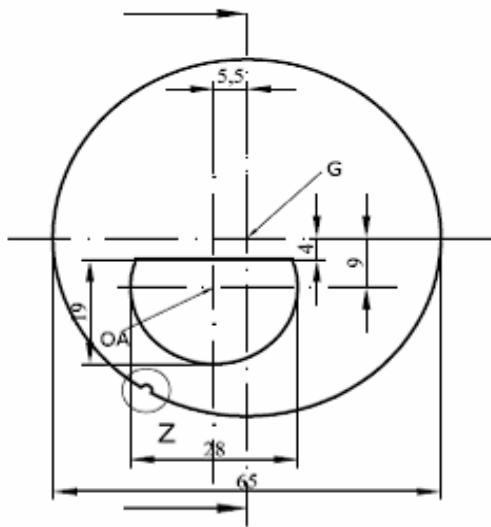
PRODUCT FAMILY :1.5 D28 65/71MM

| | | |
|-------------------------|-----------------------------|--------------------------------|
| GKB VISION LTD | TECHNICAL DATA SHEET | DRAWING NO:GKB/V/B/F/03 |
| AMENDMENT RECORD | | |

| Sr. No. | Document No with old Issue No. | Details of Amendment | Reasons for making the change | New issue No with Effective Date |
|----------------|---------------------------------------|-----------------------------|--------------------------------------|---|
| | | | | |

| | | |
|--------------------|--------------------|--------------------|
| Prepared by | Approved by | Page 1 of 1 |
|--------------------|--------------------|--------------------|

| RevNo | Revision note | Date | Signature | Checked |
|-------|---------------|------|-----------|---------|
| | | | | |



G geometrical center
 OA optical center addition

r_1 convex radius
 r_2 concave radius
 r_3 countersink radius

ST segment thickness
 CT thickness in geometrical center
 ET edge thickness

TOLERANCES AS PER /ISO/DIN/10322-1

NOTE : ALL DIMENSIONS IN mm

| | | | | |
|---------------------------|-----------------------|-----------------------|----------------|--------------|
| Drawn by VISHAL/NEWTON | Approved by - M. NAIK | File name | Date-6/11/2009 | Scale 1:1 |
| GKB VISION LTD | | D 28 65 / 71mm | | |
| | | DWG_NO = GKB/V/B/F/03 | Rev No : 00 | |

NAME OF THE PRODUCT : D28 65/71 MM
DRAWING NO : GKB/V/B/F/03

ACTUAL FRONT AND BACK CURVE RADIUS

| BASE | r1-RADIUS CX(mm) | TRUE CURVE(dpt) | INNER CURVE(dpt) | r2-RADIUS CV(mm) |
|-------------|-------------------------|------------------------|-------------------------|-------------------------|
| 0.50 | 1060.00 | 0.50 | -6.00 | 88.33 |
| 2.00 | 265.00 | 2.00 | -6.00 | 88.33 |
| 4.25 | 127.71 | 4.15 | -6.00 | 88.33 |
| 6.25 | 85.48 | 6.20 | -6.00 | 88.33 |
| 8.25 | 65.48 | 8.09 | -6.00 | 88.33 |
| 10.25 | 52.53 | 10.09 | -6.00 | 88.33 |

REVISION NO:00
DATE: 06/11/09

GKB VISION LTD

page 2 of 5

BLANK THICKNESS[mm]

**D28 65/71mm
SEMIFINISHED**

**mineral 1.525
WHITE,PBX,PGX**

| Addition Power [dpt] | Parameter | BASE | | | | | |
|----------------------------|-----------|-----------|----------|---------|---------|----------|----------|
| | | 0.50 | 2.00 | 4.25 | 6.25 | 8.25 | 10.25 |
| 0.50 | CT/ET | | | | | | |
| 0.75 | CT/ET | | | 7.7/9.7 | 6.2/6.3 | 8.8//6.4 | |
| 1.00 | CT/ET | 10.0/15.7 | 7.5/11.7 | 7.7/9.7 | 6.1/6.3 | 8.4/6.0 | 11.0/5.9 |
| 1.25 | CT/ET | 10.2/15.9 | 7.7/11.9 | 7.5/9.5 | 6.5/6.6 | 8.3/5.9 | 10.8/5.7 |
| 1.50 | CT/ET | 10.2/15.9 | 7.9/12.1 | 7.7/9.7 | 6.2/6.0 | 8.8/6.4 | 10.4/5.3 |
| 1.75 | CT/ET | 10.1/15.8 | 7.8/12.0 | 7.6/9.6 | 6.0/5.8 | 8.8/6.4 | 11.2/6.1 |
| 2.00 | CT/ET | 10.2/15.9 | 7.8/12.0 | 7.7/9.7 | 6.1/5.9 | 8.4/6.0 | 11.2/6.1 |
| 2.25 | CT/ET | 10.1/15.8 | 7.9/12.1 | 7.4/9.4 | 5.9/5.7 | 8.3/5.9 | 11.0/5.9 |
| 2.50 | CT/ET | 9.6/15.3 | 7.8/12.0 | 7.6/9.6 | 5.8/5.6 | 8.3/5.9 | 10.8/5.7 |
| 2.75 | CT/ET | 9.8/15.5 | 7.6/11.8 | 7.7/9.7 | 5.6/5.4 | 8.1/5.7 | 10.5/5.4 |
| 3.00 | CT/ET | 9.8/15.5 | 7.6/11.8 | 7.5/9.5 | 5.5/5.3 | 8.0/5.6 | 10.4/5.3 |
| 3.25 | CT/ET | 9.6/15.3 | 7.4/11.6 | 7.4/9.4 | 5.8/5.6 | 7.8/5.4 | 10.2/5.1 |
| 3.50 | CT/ET | 9.6/15.3 | 7.4/11.6 | 7.3/9.3 | 5.7/5.5 | 7.7/5.3 | 10.1/5.0 |
| 3.75 | CT/ET | 9.3/15.0 | 7.1/11.3 | 7.2/9.2 | 5.6/5.4 | 7.5/5.1 | 9.9/4.8 |
| 4.00 | CT/ET | 9.2/14.9 | 6.9/11.1 | 7.1/9.1 | 5.5/5.3 | 8.0/5.6 | 9.7/4.6 |
| 4.50 | CT/ET | | | | | | |
| 5.00 | CT/ET | | | | | | |
| 5.50 | CT/ET | | | | | | |
| 6.00 | CT/ET | | | | | | |

CT: Center thickness
ET: Edge thickness

REVISION NO:00
DATE :06/11/09

GKB VISION LTD

**GKB/V/B/F/03
PAGE 3 OF 5**

MAXIMUM SEGMENT THICKNESS [mm]

**D28 65/71mm
SEMIFINISHED**

**mineral 1.525
WHITE,PBX,PGX**

| Addition Power [dpt] | BASE | | | | | |
|----------------------------|------|------|------|------|------|-------|
| | 0.50 | 2.00 | 4.25 | 6.25 | 8.25 | 10.25 |
| 0.50 | | | | | | |
| 0.75 | | | 1.3 | 1.3 | 1.3 | |
| 1.00 | 0.8 | 0.9 | 1.7 | 1.7 | 1.7 | 1.7 |
| 1.25 | 1.1 | 1.1 | 1.1 | 1.1 | 2.1 | 2.1 |
| 1.50 | 1.3 | 1.3 | 1.3 | 1.3 | 1.3 | 2.5 |
| 1.75 | 1.6 | 1.5 | 1.5 | 1.5 | 1.5 | 1.4 |
| 2.00 | 1.2 | 1.3 | 1.7 | 1.7 | 1.7 | 1.7 |
| 2.25 | 1.4 | 1.4 | 1.9 | 1.9 | 1.9 | 1.9 |
| 2.50 | 2.2 | 1.6 | 1.5 | 2.1 | 2.1 | 2.1 |
| 2.75 | 1.8 | 1.7 | 1.7 | 2.3 | 2.2 | 2.3 |
| 3.00 | 1.9 | 1.9 | 1.9 | 2.5 | 2.5 | 2.5 |
| 3.25 | 2.0 | 2.1 | 2.0 | 2.0 | 2.6 | 2.7 |
| 3.50 | 2.2 | 2.2 | 2.2 | 2.2 | 2.9 | 2.9 |
| 3.75 | 2.3 | 2.3 | 2.3 | 2.3 | 3.1 | 3.1 |
| 4.00 | 2.5 | 2.5 | 2.5 | 2.5 | 2.5 | 3.3 |
| 4.50 | | | | | | |
| 5.00 | | | | | | |
| 5.30 | | | | | | |
| 6.00 | | | | | | |

REVISION NO:00
DATE:06/11/09

GKB VISION LTD

**GKB/V/B/F/04
PAGE 4 OF 5**

REFRACTIVE INDEX SEGMENT

**D28 65/71mm
SEMIFINISHED**

**mineral 1.525
WHITE,PBX,PGX**

| Addition Power [dpt] | BASE | | | | | |
|----------------------------|-------|-------|-------|-------|-------|-------|
| | 0.50 | 2.00 | 4.25 | 6.25 | 8.25 | 10.25 |
| 0.50 | | | | | | |
| 0.75 | | | 1.591 | 1.591 | 1.591 | |
| 1.00 | 1.657 | 1.657 | 1.591 | 1.591 | 1.591 | 1.591 |
| 1.25 | 1.657 | 1.657 | 1.657 | 1.657 | 1.591 | 1.591 |
| 1.50 | 1.657 | 1.657 | 1.657 | 1.657 | 1.657 | 1.591 |
| 1.75 | 1.657 | 1.657 | 1.657 | 1.657 | 1.657 | 1.657 |
| 2.00 | 1.706 | 1.706 | 1.657 | 1.657 | 1.657 | 1.657 |
| 2.25 | 1.706 | 1.706 | 1.657 | 1.657 | 1.657 | 1.657 |
| 2.50 | 1.657 | 1.706 | 1.706 | 1.657 | 1.657 | 1.657 |
| 2.75 | 1.706 | 1.706 | 1.706 | 1.657 | 1.657 | 1.657 |
| 3.00 | 1.706 | 1.706 | 1.706 | 1.657 | 1.657 | 1.657 |
| 3.25 | 1.706 | 1.706 | 1.706 | 1.706 | 1.657 | 1.657 |
| 3.50 | 1.706 | 1.706 | 1.706 | 1.706 | 1.657 | 1.657 |
| 3.75 | 1.706 | 1.706 | 1.706 | 1.706 | 1.657 | 1.657 |
| 4.00 | 1.706 | 1.706 | 1.706 | 1.706 | 1.706 | 1.657 |
| 4.50 | | | | | | |
| 5.00 | | | | | | |
| 5.50 | | | | | | |
| 6.00 | | | | | | |

REVISION NO:00
DATE:06/11/2009

GKB VISION LTD

**GKB/V/B/F/03
PAGE 5 OF 5**