

GKB VISION LTD

TECHNICAL DATA SHEET

DRAWING NUMBER:GKB/V/B/F/22

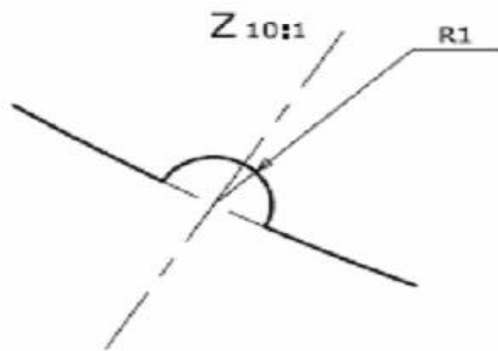
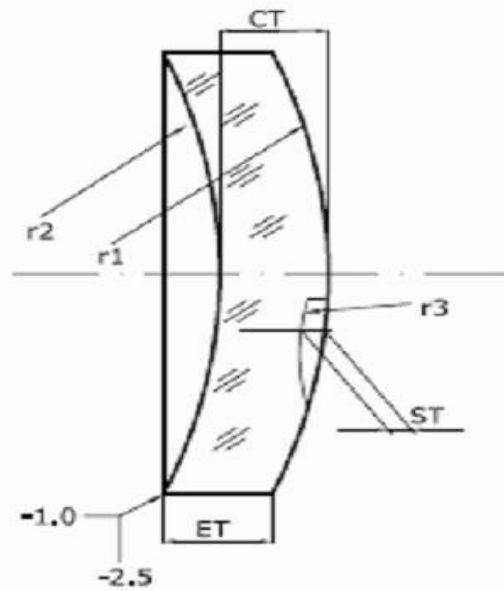
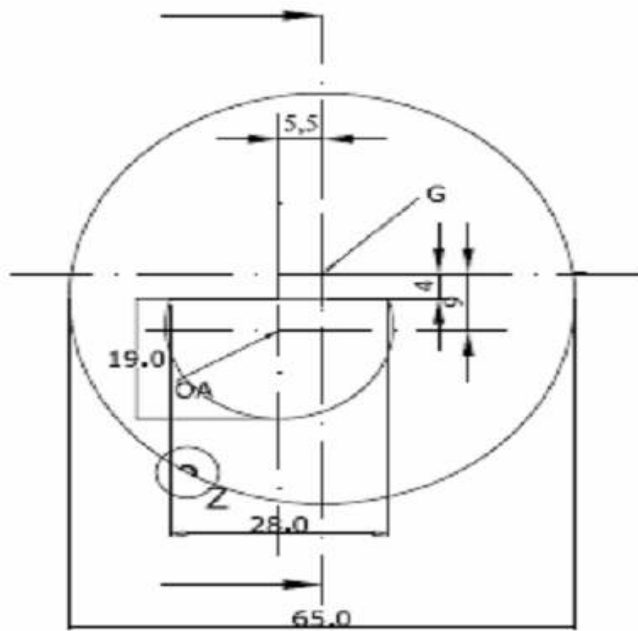
PRODUCT FAMILY :1.5 D28 N 65/71MM

| | | |
|-------------------------|-----------------------------|--------------------------------|
| GKB VISION LTD | TECHNICAL DATA SHEET | DRAWING NO:GKB/V/B/F/22 |
| AMENDMENT RECORD | | |

| Sr. No. | Document No with old Issue No. | Details of Amendment | Reasons for making the change | New issue No with Effective Date |
|---------|--------------------------------|----------------------|-------------------------------|----------------------------------|
| | | | | |

| | | |
|--------------------|--------------------|--------------------|
| Prepared by | Approved by | Page 1 of 1 |
|--------------------|--------------------|--------------------|

| RevNo | Revision note | Date | Signature | Checked |
|-------|---------------|------|-----------|---------|
| | | | | |



G geometrical center
OA optical center addition
ST segment thickness
CT thickness in geometrical center
ET edge thickness

r1 convex radius
r2 concave radius
r3 countersink radius

TOLERANCES AS PER /ISO/DIN/10322-1

NOTE : ALL DIMENSIONS IN mm

| | | | | |
|---------------------------|-----------------------|-----------------------|----------------|--------------|
| Drawn by VISHAL/NEWTON | Approved by - M. NAIK | File name | Date-6/11/2009 | Scale 1,1 |
| GKB VISION LTD | | D 28 N 65/ 71 mm | | |
| | | DWG_NO = GKB/V/B/F/22 | PAGE 1 OF 5 | |

NAME OF THE PRODUCT : D28 N 65/71 MM
DRAWING NO : GKB/V/B/F/22

ACTUAL FRONT AND BACK CURVE RADIUS

| BASE | r1-RADIUS CX(mm) | TRUE CURVE(dpt) | INNER CURVE(dpt) | r2-RADIUS CV(mm) |
|-------------|-------------------------|------------------------|-------------------------|-------------------------|
| 6.25 | 85.48 | 6.20 | -6.00 | 88.33 |

BLANK THICKNESS[mm]

D28 N 65/71mm
SEMIFINISHED

mineral 1.525
WHITE,PBX,PGX

| Addition Power [dpt] | BASE | |
|----------------------------|-----------|---------|
| | Parameter | 6.25 |
| 0.50 | CT/ET | |
| 0.75 | CT/ET | 4.3/4.1 |
| 1.00 | CT/ET | 4.3/4.1 |
| 1.25 | CT/ET | 4.5/4.3 |
| 1.50 | CT/ET | 4.5/4.3 |
| 1.75 | CT/ET | 4.4/4.2 |
| 2.00 | CT/ET | 4.2/4.0 |
| 2.25 | CT/ET | 3.9/3.6 |
| 2.50 | CT/ET | 3.7/3.5 |
| 2.75 | CT/ET | 3.5/3.2 |
| 3.00 | CT/ET | 3.4/3.1 |
| 3.25 | CT/ET | |
| 3.50 | CT/ET | |
| 3.75 | CT/ET | |
| 4.00 | CT/ET | |
| 4.50 | CT/ET | |
| 5.00 | CT/ET | |
| 5.50 | CT/ET | |
| 6.00 | CT/ET | |

CT: enter thickness
ET: Edge thickness

Rev :00
09-May

GKB VISION LTD

GKB/V/B/F/22

Page 3 of 5

MAXIMUM SEGMENT THICKNESS [mm]

D28 N 65/71mm
SEMIFINISHED

mineral 1.525
WHITE,PBX,PGX

| Addition Power [dpt] | BASE 6.25 |
|----------------------------|--------------|
| 0.50 | |
| 0.75 | 1.3 |
| 1.00 | 1.7 |
| 1.25 | 1.1 |
| 1.50 | 1.3 |
| 1.75 | 1.5 |
| 2.00 | 1.7 |
| 2.25 | 1.9 |
| 2.50 | 2.1 |
| 2.75 | 2.3 |
| 3.00 | 2.5 |
| 3.25 | |
| 3.50 | |
| 3.75 | |
| 4.00 | |
| 4.50 | |
| 5.00 | |
| 5.30 | |
| 6.00 | |

Rev:00
09-May

GKB/V/B/F/22
Page 4 of 5

REFRACTIVE INDEX SEGMENT

**D28 N 65/71mm
SEMIFINISHED**

**mineral 1.525
WHITE,PBX,PGX**

| Addition Power [dpt] | BASE 6.25 |
|-------------------------------------|----------------------|
| 0.50 | |
| 0.75 | 1.591 |
| 1.00 | 1.591 |
| 1.25 | 1.657 |
| 1.50 | 1.657 |
| 1.75 | 1.657 |
| 2.00 | 1.657 |
| 2.25 | 1.657 |
| 2.50 | 1.657 |
| 2.75 | 1.657 |
| 3.00 | 1.657 |
| 3.25 | |
| 3.50 | |
| 3.75 | |
| 4.00 | |
| 4.50 | |
| 5.00 | |
| 5.50 | |
| 6.00 | |

Rev :00
09-May

GKB VISION LTD

GKB/V/B/F/22
Page 5 of 5