

GKB VISION LTD

TECHNICAL DATA SHEET

DRAWING NUMBER:GKB/V/B/F/12

PRODUCT FAMILY :1.5 D35 65/71MM

GKB VISION LTD

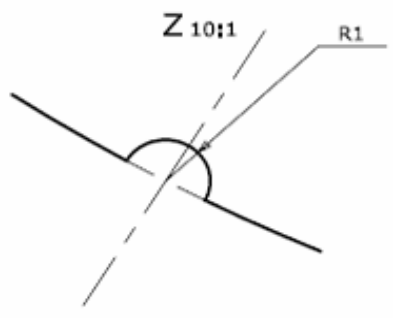
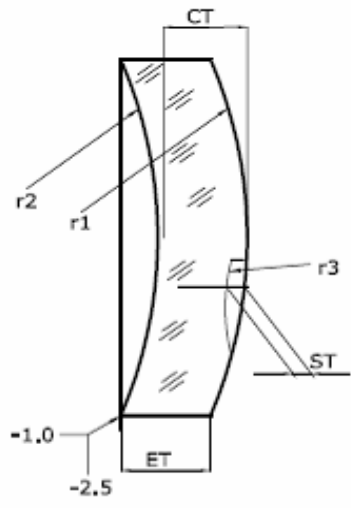
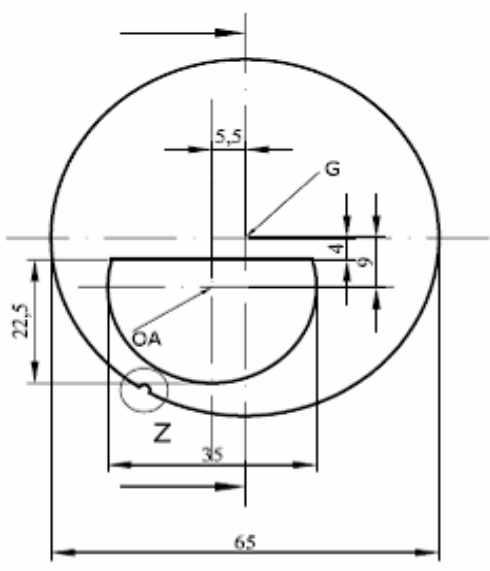
**TECHNICAL DATA
SHEET**

DRAWING NO:GKB/V/B/F/12

AMENDMENT RECORD

Sr. No.	Document No with old Issue No.	Details of Amendment	Reasons for making the change	New issue No with Effective Date
Prepared by		Approved by		Page 1 of 1

RevNo	Revision note	Date	Signature	Checked



- G geometrical center
 - OA optical center addition
 - ST segment thickness
 - CT thickness in geometrical center
 - ET edge thickness
 - r1 convex radius
 - r2 concave radius
 - r3 countersink radius
- TOLERANCES AS PER /ISO/DIN/10322-1

NOTE : ALL DIMENSIONS IN mm

Drawn by VISHAL/NEWTON	Approved by - M. NAIK	File name	Date-6/11/2009	Scale 1:1
GKB VISION LTD		D 35 65 / 71 mm		
		DWG_NO = GKB/V/B/F/12		Rev No : 00

NAME OF THE PRODUCT : D35 65/71 MM
DRAWING NO : GKB/V/B/F/12

ACTUAL FRONT AND BACK CURVE RADIUS

BASE	RADIUS CX(mm)	TRUE CURVE(dpt)	INNER CURVE(dpt)	r2-RADIUS CV(mm)
4.25	127.71	4.15	-6.00	88.33
6.25	85.48	6.20	-6.00	88.33
8.25	65.48	8.09	-6.00	88.33

REVISION NO:00
DATE: 06/11/09

GKB VISION LTD

page 2 of 5

BLANK THICKNESS [mm]

**D35 65/71mm
SEMIFINISHED**

**mineral 1.525
WHITE,PBX,PGX**

Addition Power [dpt]	Parameter	BASE					
		0.50	2.00	4.25	6.25	8.25	10.25
0.50	CT/ET						
0.75	CT/ET			7.8/9.8	6.5/6.3	8.9/6.5	
1.00	CT/ET			8.7/10.7	6.6/6.4	8.7/6.3	
1.25	CT/ET			8.0/10.0	6.7/6.5	8.0/5.6	
1.50	CT/ET			7.8/9.8	6.5/6.3	8.9/6.5	
1.75	CT/ET			7.6/9.6	6.1/5.9	8.9/6.5	
2.00	CT/ET			7.8/9.8	6.4/6.2	8.7/6.3	
2.25	CT/ET			7.2/9.2	5.6/5.4	8.2/5.8	
2.50	CT/ET			7.0/9.0	5.9/5.7	8.0/5.6	
2.75	CT/ET			7.5/9.5	5.9/5.7	8.6/6.2	
3.00	CT/ET			7.2/9.2	5.6/5.4	8.2/5.8	
3.25	CT/ET			7.0/9.0	5.5/5.3	8.0/5.6	
3.50	CT/ET			6.9/8.9	5.3/5.1	7.8/5.4	
3.75	CT/ET						
4.00	CT/ET						
4.50	CT/ET						
5.00	CT/ET						

CT: Center thickness
ET: Edge thickness

Rev:1
May-09

GKB VISION LTD

GKB/V/B/F/12
Page 2 of 5

MAXIMUM SEGMENT THICKNESS [mm]

**D35 65/71mm
SEMIFINISHED**

**mineral 1.525
WHITE,PBX,PGX**

Addition Power [dpt]	BASE					
	0.50	2.00	4.25	6.25	8.25	10.25
0.50						
0.75			2.0	2.0	2.0	
1.00			1.4	1.4	2.6	
1.25			1.7	1.7	3.2	
1.50			2.0	2.0	2.0	
1.75			2.2	2.3	2.3	
2.00			2.0	2.0	2.6	
2.25			2.9	2.9	2.9	
2.50			3.2	2.4	3.2	
2.75			2.6	2.6	2.6	
3.00			2.9	2.9	2.9	
3.25			3.2	3.0	3.2	
3.50			3.3	3.3	3.3	
3.75						
4.00						
4.50						
5.00						

Rev:1
May-09

GKB VISION LTD

GKB/V/B/F/12
Page 3 of 5

REFRACTIVE INDEX SEGMENT

**D35 65/71mm
SEMIFINISHED**

**mineral 1.525
WHITE,PBX,PGX**

Addition Power [dpt]	BASE					
	0.50	2.00	4.25	6.25	8.25	10.25
0.50						
0.75			1.591	1.591	1.591	
1.00			1.657	1.657	1.591	
1.25			1.657	1.657	1.591	
1.50			1.657	1.657	1.657	
1.75			1.657	1.657	1.657	
2.00			1.706	1.706	1.657	
2.25			1.657	1.657	1.657	
2.50			1.657	1.706	1.657	
2.75			1.706	1.706	1.706	
3.00			1.706	1.706	1.706	
3.25			1.706	1.706	1.706	
3.50			1.706	1.706	1.706	
3.75						
4.00						
4.50						
5.00						

Rev:1
May-09

GKB VISION LTD

GKB/V/B/F/12
Page 4 of 5