

GKB VISION LTD

TECHNICAL DATA SHEET

DRAWING NUMBER:GKB/V/B/F/13

PRODUCT FAMILY :1.5 D35 70/76MM

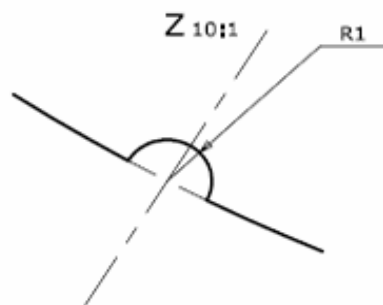
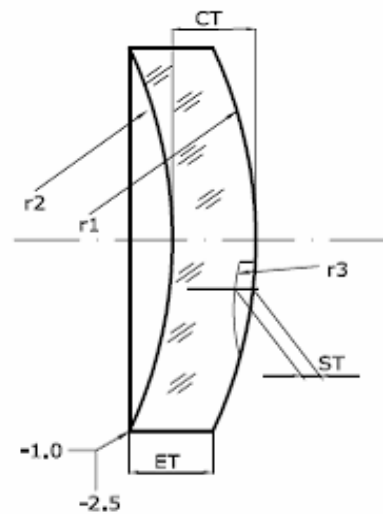
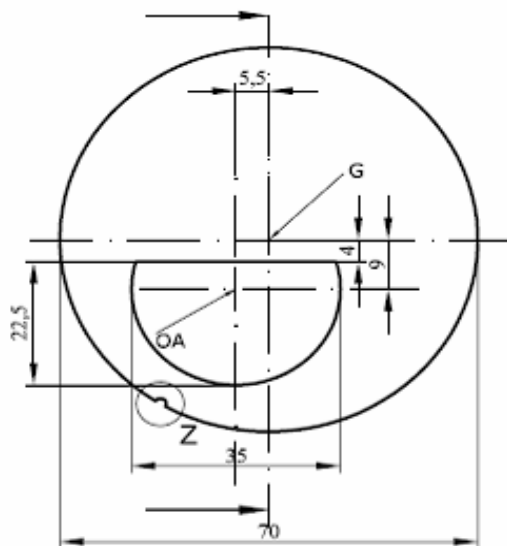
<i>GKB VISION LTD</i>	<i>TECHNICAL DATA SHEET</i>	<i>DRAWING NO:GKB/V/B/F/13</i>
------------------------------	------------------------------------	---------------------------------------

<i>AMENDMENT RECORD</i>

Sr. No.	Document No with old Issue No.	Details of Amendment	Reasons for making the change	New issue No with Effective Date

Prepared by	Approved by	Page 1 of 1
--------------------	--------------------	--------------------

RevNo	Revision note	Date	Signature	Checked



- G geometrical center
- OA optical center addition
- ST segment thickness
- CT thickness in geometrical center
- ET edge thickness

- r1 convex radius
- r2 concave radius
- r3 countersink radius

TOLERANCES AS PER /ISO/DIN/10322-1

NOTE : ALL DIMENSIONS IN mm

Drawn by VISHAL/NEWTON	Approved by - M. NAIK	File name	Date-6/11/2009	Scale 1,1
GKB VISION LTD		D 35 70 / 76mm		
		DWG_NO = GKB/V/B/F/13	Rev No : 00	

NAME OF THE PRODUCT : D35 70/76 MM
DRAWING NO : GKB/V/B/F/13

ACTUAL FRONT AND BACK CURVE RADIUS

BASE	r1-RADIUS CX(mm)	TRUE CURVE(dpt)	INNER CURVE(dpt)	r2-RADIUS CV(mm)
4.25	127.71	4.15	-6.00	88.33
6.25	85.48	6.20	-6.00	88.33
8.25	65.48	8.09	-6.00	88.33

REVISION NO:00
DATE: 06/11/09

GKB VISION LTD

page 2 of 5

BLANK THICKNESS[mm]

**D35 70/76mm
SEMIFINISHED**

**mineral 1.525
WHITE,PBX,PGX**

Addition Power [dpt]	BASE						
	Parameter	0.50	2.00	4.25	6.25	8.25	10.25
0.50	CT/ET						
0.75	CT/ET			7.7/10.0	7.3/7.0	9.5/6.6	
1.00	CT/ET			8.6/10.9	7.4/7.1	9.3/6.4	
1.25	CT/ET			7.9/10.2	7.5/7.2	8.6/5.7	
1.50	CT/ET			7.7/10.0	7.3/7.0	9.5/6.6	
1.75	CT/ET			7.5/9.8	6.6/6.6	9.5/6.6	
2.00	CT/ET			7.7/10.0	7.2/6.9	9.3/6.4	
2.25	CT/ET			7.1/9.4	6.4/6.1	8.8/5.9	
2.50	CT/ET			6.9/9.2	6.7/6.4	8.6/5.7	
2.75	CT/ET			7.4/9.7	6.7/6.4	9.2/6.3	
3.00	CT/ET			7.1/9.4	6.4/6.1	8.8/5.9	
3.25	CT/ET			6.9/9.2	6.3/6.0	8.6/5.7	
3.50	CT/ET			6.8/9.1	6.1/5.8	8.4/5.5	
3.75	CT/ET						
4.00	CT/ET						
4.50	CT/ET						
5.00	CT/ET						

CT: Center thickness
ET: Edge thickness

Rev:1
May-09

GKB VISION LTD

GKB/V/B/F/13
Page 2 of 5

MAXIMUM SEGMENT THICKNESS [mm]**D35 70/76mm
SEMIFINISHED****mineral 1.525
WHITE,PBX,PGX**

Addition Power [dpt]	BASE					
	0.50	2.00	4.25	6.25	8.25	10.25
0.50						
0.75			2.0	2.0	2.0	
1.00			1.4	1.4	2.6	
1.25			1.7	1.7	3.2	
1.50			2.0	2.0	2.0	
1.75			2.2	2.3	2.3	
2.00			2.0	2.0	2.6	
2.25			2.9	2.9	2.9	
2.50			3.2	2.4	3.2	
2.75			2.6	2.6	2.6	
3.00			2.9	2.9	2.9	
3.25			3.2	3.0	3.2	
3.50			3.3	3.3	3.3	
3.75						
4.00						
4.50						
5.00						

Rev:1
May-09**GKB VISION LTD****GKB/V/B/F/13**
Page 4 of 5

REFRACTIVE INDEX SEGMENT

**D35 70/76mm
SEMIFINISHED**

**mineral 1.525
WHITE,PBX,PGX**

Addition Power [dpt]	BASE					
	0.50	2.00	4.25	6.25	8.25	10.25
0.50						
0.75			1.591	1.591	1.591	
1.00			1.657	1.657	1.591	
1.25			1.657	1.657	1.591	
1.50			1.657	1.657	1.657	
1.75			1.657	1.657	1.657	
2.00			1.706	1.706	1.657	
2.25			1.657	1.657	1.657	
2.50			1.657	1.706	1.657	
2.75			1.706	1.706	1.706	
3.00			1.706	1.706	1.706	
3.25			1.706	1.706	1.706	
3.50			1.706	1.706	1.706	
3.75						
4.00						
4.50						
5.00						

Rev:1
May-09

GKB VISION LTD

GKB/V/B/F/13
Page 5 of 5