

GKB VISION LTD

TECHNICAL DATA SHEET

DRAWING NUMBER:GKB/V/B/F/18

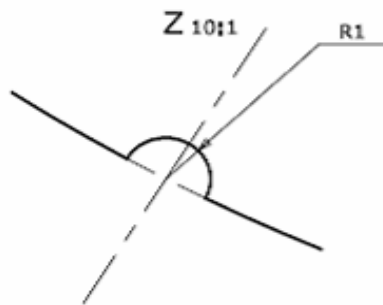
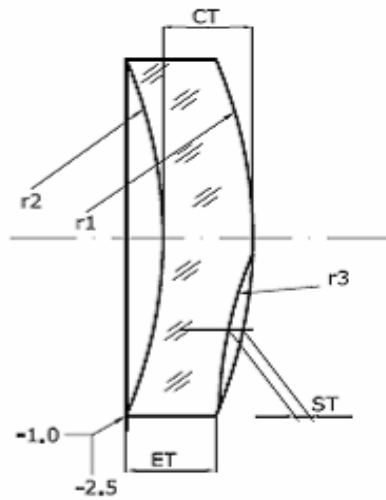
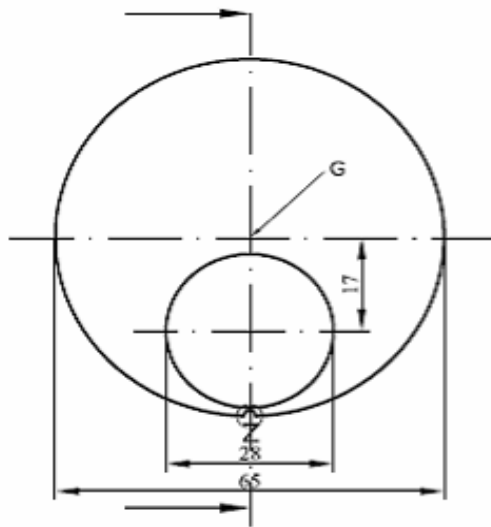
PRODUCT FAMILY :1.5 KT 28 MM

GKB VISION LTD	TECHNICAL DATA SHEET	DRAWING NO:GKB/V/B/F/18
AMENDMENT RECORD		

Sr. No.	Document No with old Issue No.	Details of Amendment	Reasons for making the change	New issue No with Effective Date

Prepared by	Approved by	Page 1 of 1
--------------------	--------------------	--------------------

RevNo	Revision note	Date	Signature	Checked



G geometrical center
 OA optical center addition
 ST segment thickness
 CT thickness in geometrical center
 ET edge thickness

r1 convex radius
 r2 concave radius
 r3 countersink radius

TOLERANCES AS PER /ISO/DIN/10322-1

NOTE : ALL DIMENSIONS IN mm

Drawn by VISHAL/NEWTON	Approved by - M. NAIK	File name	Date-6/11/2009	Scale 1:1
GKB VISION LTD		KT 28 65 / 71mm		
		DWG_NO = GKB/V/B/F/18		Rev No : 00

NAME OF THE PRODUCT : KT 28 65 MM
DRAWING NO : GKB/V/B/F/18

ACTUAL FRONT AND BACK CURVE RADIUS

BASE	r1-RADIUS CX(mm)	TRUE CURVE(dpt)	INNER CURVE(dpt)	r2-RADIUS CV(mm)
2.00	265.00	2.00	-6.00	88.33
4.25	127.71	4.15	-6.00	88.33
6.25	85.48	6.20	-6.00	88.33
8.25	65.48	8.09	-6.00	88.33

MAXIMUM SEGMENT THICKNESS [mm]**KRYPTOK 28 65/71mm
SEMIFINISHED****mineral 1.525
WHITE,PBX,PGX**

Addition Power [dpt]	BASE					
	0.50	2.00	4.25	6.25	8.25	10.25
0.50						
0.75						
1.00			1.7	1.7	1.7	
1.25			1.1	1.1	2.1	
1.50			1.3	1.3	1.3	
1.75			1.5	1.5	1.5	
2.00			1.7	1.7	1.7	
2.25			1.9	1.9	1.9	
2.50			1.5	2.1	2.1	
2.75			1.7	2.3	2.2	
3.00			1.9	2.5	2.5	
3.25			2.0	2.0	2.6	
3.50			2.2	2.2	2.9	
3.75			2.3	2.3	3.1	
4.00			2.5	2.5	2.5	
4.50						
5.00						
5.50						
6.00						

BLANK THICKNESS[mm]**KRYPTOK 28 65/71mm
SEMIFINISHED****mineral 1.525
WT,PBX,PGX**

Addition Power [dpt]	Parameter	BASE			
		2.00	4.25	6.25	8.25
0.50	CT/ET				
0.75	CT/ET				
1.00	CT/ET		4.8/7.1	4.8/4.6	7.0/4.8
1.25	CT/ET		5.0/7.3	4.9/4.7	6.8/4.6
1.50	CT/ET		4.9/7.3	4.9/4.7	6.9/4.7
1.75	CT/ET		4.9/7.3	4.9/4.7	6.9/4.7
2.00	CT/ET		4.8/7.1	4.8/4.6	7.0/4.8
2.25	CT/ET		4.7/7.1	4.8/4.6	6.9/4.7
2.50	CT/ET		4.9/7.3	4.9/4.7	6.8/4.6
2.75	CT/ET		4.8/7.1	4.8/4.6	6.8/4.6
3.00	CT/ET		4.8/7.2	4.8/4.6	6.7/4.5
3.25	CT/ET		4.7/7.0	4.7/4.5	6.6/4.4
3.50	CT/ET		4.7/7.0	4.7/4.5	6.6/4.4
3.75	CT/ET		4.6/6.9	4.6/4.4	6.5/4.3
4.00	CT/ET		4.6/6.9	4.6/4.4	6.7/4.5

CT: Center thickness

ET: Edge thickness

Revision :00

Date :18/11/09

GKB VISION LTD

GKB/V/B/F/18

Page 4 of 5

REFRACTIVE INDEX SEGMENT

**KRYPTOK 28 65/71mm
SEMIFINISHED**

**mineral 1.525
WHITE,PBX,PGX**

Addition Power [dpt]	BASE					
	0.50	2.00	4.25	6.25	8.25	10.25
0.50						
0.75						
1.00			1.591	1.591	1.591	
1.25			1.657	1.657	1.591	
1.50			1.657	1.657	1.657	
1.75			1.657	1.657	1.657	
2.00			1.657	1.657	1.657	
2.25			1.657	1.657	1.657	
2.50			1.706	1.657	1.657	
2.75			1.706	1.657	1.657	
3.00			1.706	1.657	1.657	
3.25			1.706	1.706	1.657	
3.50			1.706	1.706	1.657	
3.75			1.706	1.706	1.657	
4.00			1.706	1.706	1.706	
4.50						
5.00						

Rev:1
Jan-09

GKB VISION LTD

GKB/V/B/F/18
Page 5 of 5