

GKB VISION LTD

TECHNICAL DATA SHEET

DRAWING NUMBER:GKB/V/B/F/20

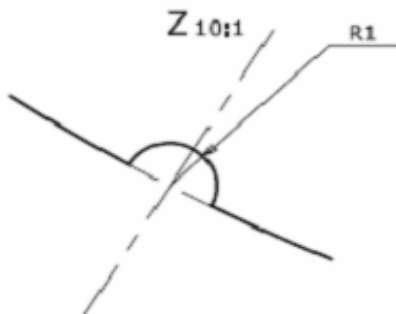
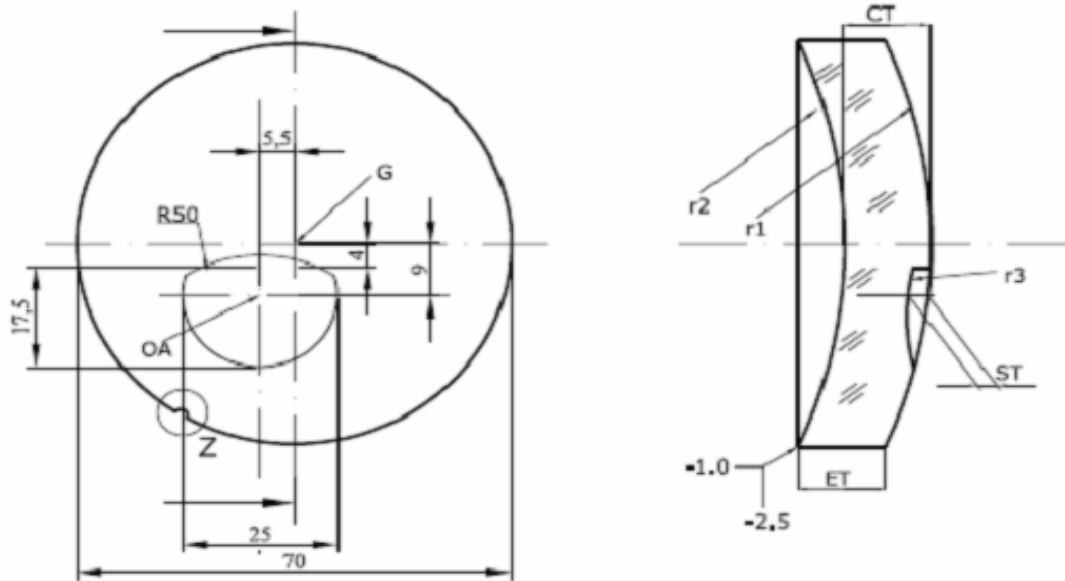
PRODUCT FAMILY :1.6 C25 T 70/76MM

<i>GKB VISION LTD</i>	<i>TECHNICAL DATA SHEET</i>	<i>DRAWING NO:GKB/V/B/F/20</i>
<i>AMENDMENT RECORD</i>		

Sr. No.	Document No with old Issue No.	Details of Amendment	Reasons for making the change	New issue No with Effective Date

Prepared by	Approved by	Page 1 of 1
--------------------	--------------------	--------------------

RevNo	Revision note	Date	Signature	Checked



- G geometrical center
 - OA optical center addition
 - ST segment thickness
 - CT thickness in geometrical center
 - ET edge thickness
 - r1 convex radius
 - r2 concave radius
 - r3 countersink radius
- TOLERANCES AS PER /ISO/DIN/10322-1

NOTE : ALL DIMENSIONS IN mm

Drawn by VISHAL/NEWTON	Approved by - M. NAIK	File name	Date-6/11/2009	Scale 1:1
GKB VISION LTD		C 25, 1.6, 71 / 77 mm		
		DWG_NO = GKB/V/B/F/20	PAGE:1 OF 5	

NAME OF THE PRODUCT : C25 T 70/76 MM
DRAWING NO : GKB/V/B/F/20

ACTUAL FRONT AND BACK CURVE RADIUS

BASE	r1-RADIUS CX(mm)	TRUE CURVE(dpt)	INNER CURVE(dpt)	r2-RADIUS CV(mm)
2.00	265.00	2.00	-6.00	88.33
4.25	127.71	4.15	-6.00	88.33
5.25	102.07	5.19	-6.00	88.33
6.25	85.48	6.20	-6.00	88.33
8.25	65.48	8.09	-6.00	88.33

REVISION NO:00
DATE: 06/11/09

GKB VISION LTD

page 2 of 5

BLANK THICKNESS[mm]

**C25 T 70/76mm
SEMIFINISHED**

**mineral 1.604 THICK
WHITE**

Addition Power [dpt]	Parameter	BASE						
		0.50	2.00	4.25	5.25	6.25	8.25	10.25
0.50	CT/ET							
0.75	CT/ET		13.7/18.6	13.3/15.7	13.4/14.4	13.3/13.0		
1.00	CT/ET		13.5/18.4	13.0/15.3	12.9/14.0	13.0/12.7		
1.25	CT/ET		13.3/18.2	13.4/15.7	12.6/13.7	12.6/12.3		
1.50	CT/ET		13.1/18.1	13.2/15.5	13.1/14.2	12.2/12.0		
1.75	CT/ET		12.9/17.8	13.0/15.3	13.0/14.0	12.9/12.7		
2.00	CT/ET		12.7/17.6	12.8/15.1	12.7/13.8	12.8/12.5		
2.25	CT/ET		12.5/17.5	12.5/14.9	12.5/13.6	12.6/12.3		
2.50	CT/ET		12.9/17.8	12.4/14.8	12.4/13.4	12.4/12.1		
2.75	CT/ET		12.7/17.6	12.2/14.5	12.2/13.2	12.2/12.0		
3.00	CT/ET		12.5/17.5	12.6/14.9	12.0/13.0	12.0/11.8		
3.25	CT/ET		12.4/17.3	12.5/14.8	11.8/12.8	11.8/11.6		
3.50	CT/ET		12.2/17.1	12.3/14.6	12.2/13.3	11.6/11.4		
3.75	CT/ET		12.1/17.0	12.1/14.5	12.1/13.1	12.1/11.9		
4.00	CT/ET		11.9/16.8	11.9/14.3	12.0/13.0	12.0/11.7		
4.50	CT/ET							
5.00	CT/ET							
5.50	CT/ET							
6.00	CT/ET							

CT: Center thickness
ET: Edge thickness

Rev:00
Aug-09

GKB VISION LTD

GKB/V/B/F/20
Page 3 of 5

MAXIMUM SEGMENT THICKNESS[mm]

**C 25 T 70/76mm
SEMIFINISHED**

**mineral 1.604 THICK
WHITE**

Addition Power [dpt]	BASE						
	0.50	2.00	4.25	5.25	6.25	8.25	10.25
0.50							
0.75		0.5	0.4	0.4	0.5		
1.00		0.6	0.6	0.6	0.4		
1.25		0.7	0.7	0.7	0.6		
1.50		0.9	0.8	0.9	0.7		
1.75		1.1	1.0	1.0	1.0		
2.00		1.1	1.1	1.1	1.1		
2.25		1.3	1.3	1.3	1.2		
2.50		1.1	1.4	1.4	1.4		
2.75		1.2	1.5	1.5	1.5		
3.00		1.3	1.3	1.7	1.6		
3.25		1.4	1.3	1.8	1.8		
3.50		1.5	1.5	1.5	1.9		
3.75		1.6	1.6	1.6	1.6		
4.00		1.7	1.7	1.7	1.7		
4.50							
5.00							
5.50							
6.00							

REFRACTIVE INDEX SEGMENT

**C25 T 70/76mm
SEMIFINISHED**

**mineral 1.604 THICK
WHITE**

Addition Power [dpt]	BASE						
	0.50	2.00	4.25	5.25	6.25	8.25	10.25
0.50							
0.75		1.755	1.755	1.755	1.755		
1.00		1.755	1.755	1.755	1.755		
1.25		1.755	1.755	1.755	1.755		
1.50		1.755	1.755	1.755	1.755		
1.75		1.755	1.755	1.755	1.755		
2.00		1.755	1.755	1.755	1.755		
2.25		1.755	1.755	1.755	1.755		
2.50		1.800	1.755	1.755	1.755		
2.75		1.800	1.755	1.755	1.755		
3.00		1.800	1.706	1.755	1.755		
3.25		1.800	1.800	1.755	1.755		
3.50		1.800	1.800	1.800	1.755		
3.75		1.800	1.800	1.800	1.800		
4.00		1.800	1.800	1.800	1.800		
4.50							
5.00							
5.50							
6.00							

Rev:00
Aug-09

GKB VISION LTD

GKB/V/B/F/20
Page 5 of 5