

GKB VISION LTD

TECHNICAL DATA SHEET

DRAWING NUMBER:GKB/V/B/F/14

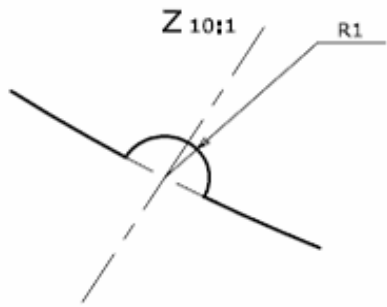
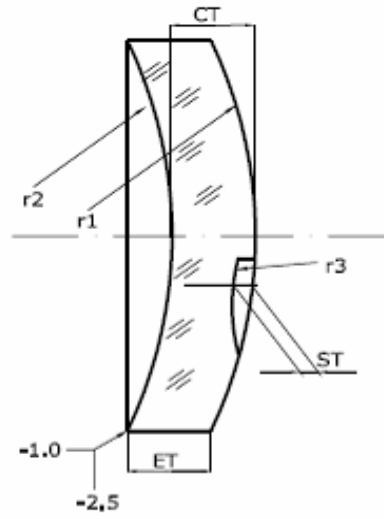
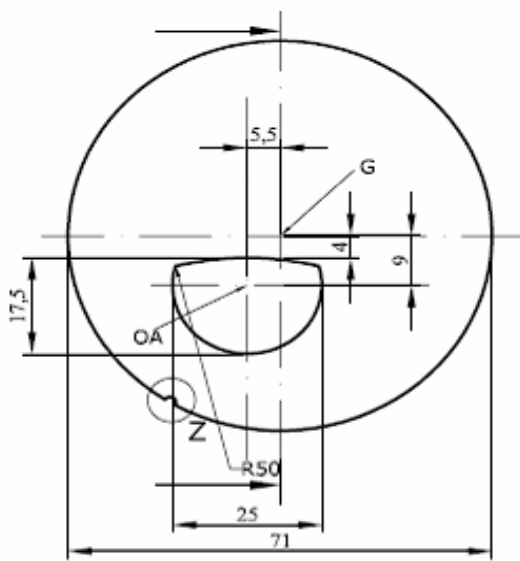
PRODUCT FAMILY :1.6 C25 71/77MM

GKB VISION LTD	TECHNICAL DATA SHEET	DRAWING NO:GKB/V/B/F/14
AMENDMENT RECORD		

Sr. No.	Document No with old Issue No.	Details of Amendment	Reasons for making the change	New issue No with Effective Date

Prepared by	Approved by	Page 1 of 1
--------------------	--------------------	--------------------

RevNo	Revision note	Date	Signature	Checked



G geometrical center
 OA optical center addition
 ST segment thickness
 CT thickness in geometrical center
 ET edge thickness

r1 convex radius
 r2 concave radius
 r3 countersink radius

TOLERANCES AS PER /ISO/DIN/10322-1

NOTE : ALL DIMENSIONS IN mm

Drawn by VISHAL/NEWTON	Approved by - M.NAIK	File name	Date-6/11/2009	Scale 1:1
GKB VISION LTD		C 25, 1.6, 71 / 77 mm		
		DWG_NO = GKB/V/B/F/14	Rev No : 00	

ACTUAL FRONT AND BACK CURVE RADIUS

BASE	r1-RADIUS CX(mm)	TRUE CURVE(dpt)	INNER CURVE(dpt)	r2-RADIUS CV(mm)
2.00	265.00	2.00	-6.00	88.33
4.25	127.71	4.15	-6.00	88.33
5.25	102.07	5.19	-6.00	88.33
6.25	85.48	6.20	-6.00	88.33
8.25	65.48	8.09	-6.00	88.33

According to draft ISO/DIN 10322-1
True Curve with reference to refractive Index of 1.530

BLANK THICKNESS[mm]

**C25 71/77mm
SEMIFINISHED**

**mineral 1.604
WHITE**

Addition Power [dpt]	BASE							
	Parameter	0.50	2.00	4.25	5.25	6.25	8.25	10.25
0.50	CT/ET	-	-	-	-	-	-	-
0.75	CT/ET	-	9.6/14.7	9.3/11.7	8.8/9.9	8.2/8.1	10.2/7.2	-
1.00	CT/ET	-	9.5/14.5	9.1/11.5	8.6/9.7	8.1/7.9	10.1/7.1	-
1.25	CT/ET	-	9.3/14.3	8.9/11.3	8.4/9.5	7.9/7.8	9.9/6.9	-
1.50	CT/ET	-	9.2/14.2	8.7/11.1	8.1/9.2	7.7/7.7	9.8/6.8	-
1.75	CT/ET	-	8.9/13.9	8.5/10.9	8.0/9.1	7.4/7.4	9.6/6.5	-
2.00	CT/ET	-	8.8/13.8	8.3/10.7	7.8/8.9	7.3/7.3	9.4/6.4	-
2.25	CT/ET	-	8.6/13.7	8.1/10.5	7.6/8.7	7.2/7.2	9.3/6.3	-
2.50	CT/ET	-	8.9/13.9	8.0/10.4	7.4/8.5	7.0/7.1	9.0/6.0	-
2.75	CT/ET	-	8.7/13.7	7.8/10.2	7.3/8.4	6.8/6.9	8.8/5.7	-
3.00	CT/ET	-	8.6/13.7	8.2/10.6	7.1/8.2	6.7/6.8	8.6/5.6	-
3.25	CT/ET	-	8.5/13.6	8.0/10.5	7.0/8.0	6.5/6.7	8.5/5.5	-
3.50	CT/ET	-	8.2/13.3	7.9/10.3	7.4/8.4	6.3/6.5	8.3/5.3	-
3.75	CT/ET	-	8.2/13.3	7.8/10.2	7.2/8.3	6.7/6.8	8.2/5.1	-
4.00	CT/ET	-	8.0/13.1	7.5/10.4	7.1/8.2	6.6/6.7	7.9/4.9	-
4.50	CT/ET	-	7.8/12.8	7.3/10.2	6.8/7.9	6.3/6.5	8.3/5.3	-
5.00	CT/ET	-	7.4/12.4	7.0/9.4	6.5/7.6	6.1/5.8	8.0/5.0	-
5.50	CT/ET	-	7.0/12.1	6.6/9.0	6.2/7.3	5.8/5.5	7.7/4.7	-
6.00	CT/ET	-	6.6/11.7	6.3/8.8	5.9/7.0	5.5/5.2	7.5/4.5	-

CT: Center thickness
ET: Edge thickness

REVISION NO:00
DATE :06/11/2009

GKB VISION LTD

GKB/V/B/F/14
Page 3 of 5

MAXIMUM SEGMENT THICKNESS[mm]

**C25 71/77mm
SEMIFINISHED**

**mineral 1.604
WHITE**

Addition Power [dpt]	BASE						
	0.50	2.00	4.25	5.25	6.25	8.25	10.25
0.50	-	-	-	-	-	-	-
0.75	-	0.5	0.5	0.5	0.5	0.5	-
1.00	-	0.7	0.6	0.6	0.6	0.6	-
1.25	-	0.8	0.8	0.8	0.8	0.8	-
1.50	-	0.9	0.9	0.9	0.9	0.9	-
1.75	-	1.1	1.0	1.0	1.1	1.1	-
2.00	-	1.2	1.2	1.2	1.2	1.2	-
2.25	-	1.3	1.3	1.3	1.3	1.3	-
2.50	-	1.1	1.4	1.5	1.4	1.4	-
2.75	-	1.2	1.6	1.6	1.5	1.6	-
3.00	-	1.3	1.3	1.7	1.7	1.7	-
3.25	-	1.4	1.4	1.8	1.8	1.8	-
3.50	-	1.6	1.5	1.5	1.9	1.9	-
3.75	-	1.6	1.6	1.6	1.6	2.1	-
4.00	-	1.8	1.7	1.7	1.7	2.2	-
4.50	-	1.9	1.9	2.0	1.9	1.9	-
5.00	-	2.2	2.2	2.1	2.1	2.2	-
5.50	-	2.4	2.4	2.3	2.3	2.3	-
6.00	-	2.7	2.6	2.5	2.5	2.6	-

REVISION NO:00
DATE :06/11/2009

GKB VISION LTD

GKB/V/B/F/14
Page 4 of 5

REFRACTIVE INDEX SEGMENT

**C25 71/77mm
SEMIFINISHED**

**mineral 1.604
WHITE**

Addition Power [dpt]	BASE						
	0.50	2.00	4.25	5.25	6.25	8.25	10.25
0.50							
0.75		1.755	1.755	1.755	1.755	1.755	
1.00		1.755	1.755	1.755	1.755	1.755	
1.25		1.755	1.755	1.755	1.755	1.755	
1.50		1.755	1.755	1.755	1.755	1.755	
1.75		1.755	1.755	1.755	1.755	1.755	
2.00		1.755	1.755	1.755	1.755	1.755	
2.25		1.755	1.755	1.755	1.755	1.755	
2.50		1.800	1.755	1.755	1.755	1.755	
2.75		1.800	1.755	1.755	1.755	1.755	
3.00		1.800	1.706	1.755	1.755	1.755	
3.25		1.800	1.800	1.755	1.755	1.755	
3.50		1.800	1.800	1.800	1.755	1.755	
3.75		1.800	1.800	1.800	1.800	1.755	
4.00		1.800	1.800	1.800	1.800	1.755	
4.50		1.800	1.800	1.800	1.800	1.800	
5.00		1.800	1.800	1.800	1.800	1.800	
5.50		1.800	1.800	1.800	1.800	1.800	
6.00		1.800	1.800	1.800	1.800	1.800	

REVISION NO:00
DATE :06/11/2009

GKB VISION LTD

GKB/V/B/F/14
Page 5 of 5