



GKB VISION LTD

TECHNICAL DATASHEET

DOCUMENT NO : GKB/V/B/F/15

ISSUE DATE : 29/02/2012

**PRODUCT FAMILY : 1.604 C28 WHT SEMI-
FINISHED BIFOCAL LENS
71 mm**

GKB VISION LTD ISO 9001:2008 CERTIFIED	C28 WHITE SEMI-FINISHED BIFOCAL LENS		Doc. No.	GKB/V/B/F/15
	1.604 RI		Issue No.	01
	71 MM		Issue Date	29/2/2012

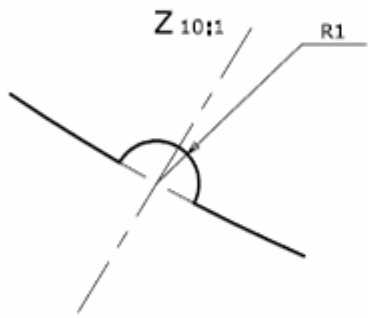
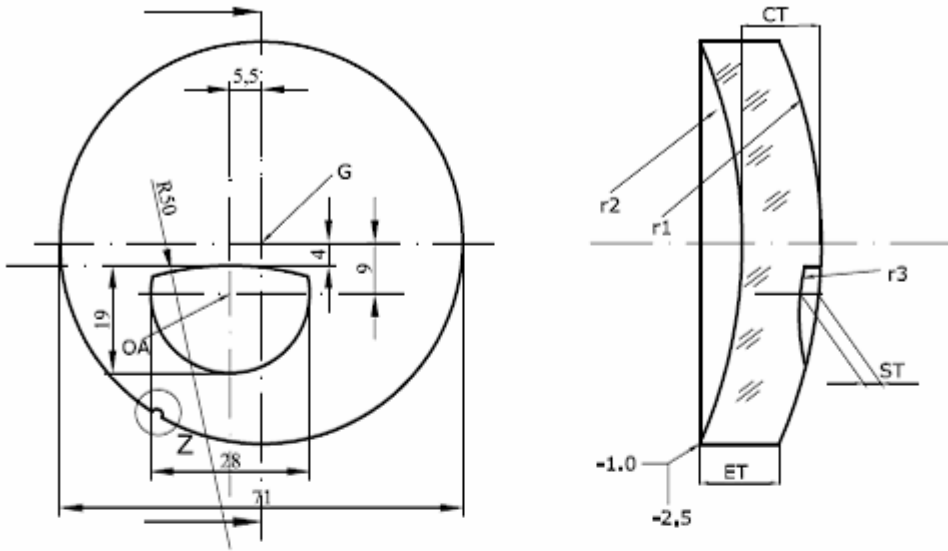
AMENDMENT RECORD

Sr. No.	Document No. with old Issue No.	Details of Amendment	Reasons for making the change	New Issue No. with Effective Date
1	GKB/V/BF/15 Issue No: 00	Values of Maximum segment Thickness and Refractive index segment	Error in calculation in old issue	GKB/V/BF/15 Issue No:01 Effective from 29/2/2012

Prepared by	Approved by	Page 1 of 6
PRIYA MAHAMBRE	MARUTI NAIK	

GKB VISION LTD ISO 9001:2008 CERTIFIED	C28 WHITE SEMI-FINISHED BIFOCAL LENS	Doc. No. GKB/V/B/F/15
	1.604 RI	Issue No. 01
	71 MM	Issue Date 29/2/2012

RevNo	Revision note	Date	Signature	Checked



- G geometrical center
 - OA optical center addition
 - ST segment thickness
 - CT thickness in geometrical center
 - ET edge thickness
 - r1 convex radius
 - r2 concave radius
 - r3 countersink radius
- TOLERANCES AS PER /ISO/DIN/10322-1

NOTE : ALL DIMENSIONS IN mm

Drawn by VISHAL/NEWTON	Approved by - M.NAIK	File name	Date-6/11/2009	Scale 1,1
GKB VISION LTD		C 28, 1.6, 71/ 77mm		
		DWG_NO = GKB/V/B/F/15	Rev No : 00	

Prepared by PRIYA MAHAMBRE	Approved by MARUTI NAIK	Page 2 of 6
--------------------------------------	-----------------------------------	-------------

GKB VISION LTD ISO 9001:2008 CERTIFIED	C28 WHITE SEMI-FINISHED BIFOCAL LENS		Doc. No.	GKB/V/B/F/15
			Issue No.	01
	1.604 RI	71 MM	Issue Date	29/2/2012

ACTUAL FRONT AND BACK CURVE RADIUS

BASE	r1 RADIUS CX(mm)	TRUE CURVE(dpt)	INNER CURVE(dpt)	r2-RADIUS CV(mm)
2.00	265.00	2.00	-6.00	88.33
4.25	127.71	4.15	-6.00	88.33
5.25	102.07	5.19	-6.00	88.33
6.25	85.48	6.20	-6.00	88.33
8.25	65.48	8.09	-6.00	88.33

Prepared by	Approved by	Page 3 of 6
PRIYA MAHAMBRE	MARUTI NAIK	

GKB VISION LTD ISO 9001:2008 CERTIFIED	C28 WHITE SEMI-FINISHED BIFOCAL LENS		Doc. No.	GKB/V/B/F/15
	1.604 RI		Issue No.	01
	71 MM		Issue Date	29/2/2012

BLANK THICKNESS

Addition	BASE							
	Power							
[dpt]	Parameter	0.50	2.00	4.25	5.25	6.25	8.25	10.25
0.50	CT/ET							
0.75	CT/ET		9.7/14.7	9.4/11.8	8.9/10.0	8.4/8.1	10.4/7.4	
1.00	CT/ET		9.6/14.6	9.3/11.7	8.8/9.9	8.2/7.9	10.2/7.2	
1.25	CT/ET		9.5/14.5	9.1/11.5	8.6/9.7	8.1/7.8	10.1/7.1	
1.50	CT/ET		9.4/14.4	8.9/11.3	8.4/9.5	8.0/7.7	10.0/7.0	
1.75	CT/ET		9.2/14.2	8.8/11.2	8.3/9.4	7.7/7.4	9.8/6.8	
2.00	CT/ET		9.1/14.1	8.6/11.0	8.1/9.2	7.6/7.3	9.7/6.7	
2.25	CT/ET		8.9/13.9	8.4/10.9	7.9/9.0	7.5/7.2	9.6/6.6	
2.50	CT/ET		9.2/14.2	8.3/10.7	7.8/8.9	7.4/7.1	9.3/6.3	
2.75	CT/ET		9.0/14.0	8.2/10.6	7.7/8.8	7.2/6.9	9.2/6.2	
3.00	CT/ET		8.9/13.9	8.5/10.9	7.5/8.6	7.1/6.8	9.1/6.1	
3.25	CT/ET		8.9/13.9	8.4/10.8	7.4/8.5	7.0/6.7	8.9/5.9	
3.50	CT/ET		8.6/13.6	8.3/10.7	7.7/8.8	6.8/6.5	8.8/5.8	
3.75	CT/ET		8.6/13.6	8.2/10.6	7.6/8.7	7.1/6.8	8.7/5.7	
4.00	CT/ET		8.4/13.4	8.0/10.4	7.5/8.6	7.0/6.7	8.5/5.5	
4.50	CT/ET		8.2/13.2	7.8/10.2	7.3/8.4	6.8/6.5	8.8/5.8	
5.00	CT/ET							
5.50	CT/ET							
6.00	CT/ET							

Prepared by	Approved by	Page 4 of 6
PRIYA MAHAMBRE	MARUTI NAIK	

GKB VISION LTD ISO 9001:2008 CERTIFIED	C28 WHITE SEMI-FINISHED BIFOCAL LENS		Doc. No.	GKB/V/B/F/15
	1.604 RI		Issue No.	01
	71 MM		Issue Date	29/2/2012

MAXIMUM SEGMENT THICKNESS

Addition Power	BASE							
	[dpt]	0.50	2.00	4.25	5.25	6.25	8.25	10.25
0.50								
0.75		0.7	0.6	0.6	0.6	0.6		
1.00		0.8	0.8	0.8	0.8	0.8		
1.25		1.0	0.9	1.0	1.0	1.0		
1.50		1.1	1.1	1.1	1.1	1.1		
1.75		1.4	1.3	1.3	1.3	1.3		
2.00		1.5	1.5	1.5	1.4	1.5		
2.25		1.6	1.7	1.7	1.6	1.6		
2.50		1.4	1.8	1.8	1.8	1.8		
2.75		1.6	2.0	2.0	1.9	2.0		
3.00		1.6	1.6	2.1	2.1	2.1		
3.25		1.8	1.7	2.3	2.3	2.3		
3.50		1.9	1.9	1.9	2.4	2.4		
3.75		2.0	2.0	2.0	2.0	2.6		
4.00		2.2	2.2	2.1	2.1	2.8		
4.50		2.4	2.4	2.4	2.4	2.4		
5.00								
5.50								
6.00								

Prepared by	Approved by	Page 5 of 6
PRIYA MAHAMBRE	MARUTI NAIK	

GKB VISION LTD ISO 9001:2008 CERTIFIED	C28 WHITE SEMI-FINISHED BIFOCAL LENS		Doc. No.	GKB/V/B/F/15
	1.604 RI		Issue No.	01
	71 MM		Issue Date	29/2/2012

REFRACTIVE INDEX SEGMENT

Addition Power	BASE						
	0.50	2.00	4.25	5.25	6.25	8.25	10.25
[dpt]	0.50	2.00	4.25	5.25	6.25	8.25	10.25
0.50							
0.75		1.755	1.755	1.755	1.755	1.755	
1.00		1.755	1.755	1.755	1.755	1.755	
1.25		1.755	1.755	1.755	1.755	1.755	
1.50		1.755	1.755	1.755	1.755	1.755	
1.75		1.755	1.755	1.755	1.755	1.755	
2.00		1.755	1.755	1.755	1.755	1.755	
2.25		1.755	1.755	1.755	1.755	1.755	
2.50		1.800	1.755	1.755	1.755	1.755	
2.75		1.800	1.755	1.755	1.755	1.755	
3.00		1.800	1.800	1.755	1.755	1.755	
3.25		1.800	1.800	1.755	1.755	1.755	
3.50		1.800	1.800	1.800	1.755	1.755	
3.75		1.800	1.800	1.800	1.800	1.755	
4.00		1.800	1.800	1.800	1.800	1.755	
4.50		1.800	1.800	1.800	1.800	1.800	
5.00							
5.50							
6.00							

Prepared by	Approved by	Page 6 of 6
PRIYA MAHAMBRE	MARUTI NAIK	