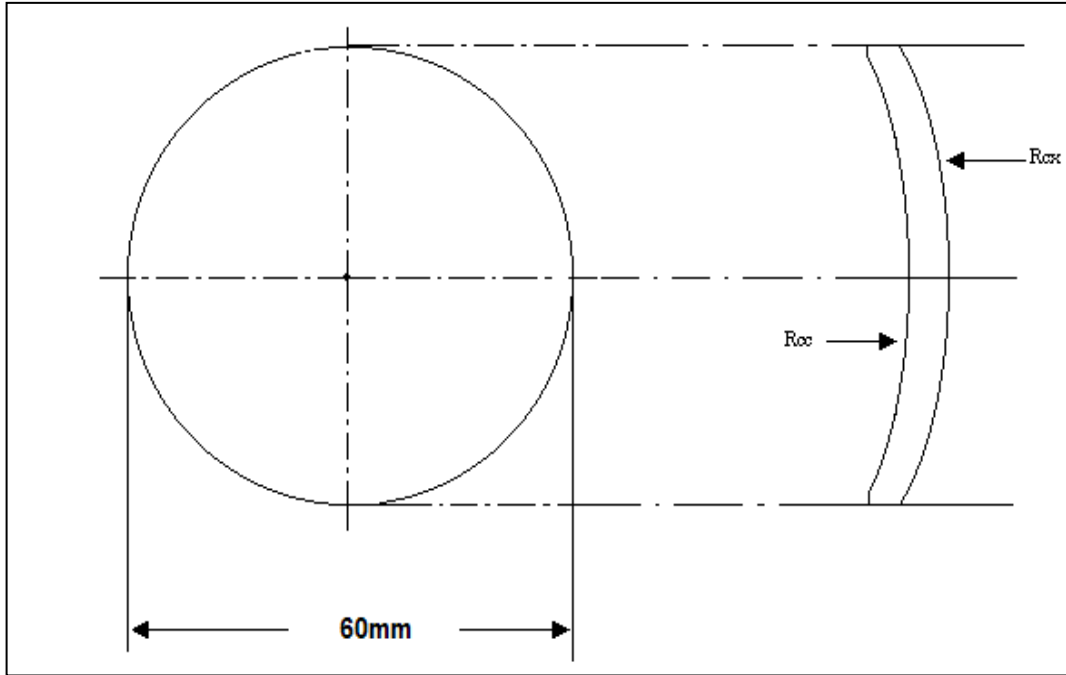


GKB OPHTHALMICS LTD ISO 9001:2008 CERTIFIED	TECHNICAL DATA SHEET (PLASTIC)	Doc. No	GKB/O/P/CR-SFSV/01
		Issue No.	01
		Issue Date.	12-04-2013
SEMI-FINISHED CR-39 LENSES			
RI 1.498	SINGLE VISION		60 MM



BASE (dpt)	True Curve (dpt)	Convex Radius (mm)	Rcc (dpt)	CT (mm)	ET (mm)
0.50	0.54	920.00	-6.25	10.30	15.30
2.25	1.97	252.60	-6.25	9.60	13.30
3.25	3.55	140.30	-6.25	9.10	11.30
4.25 - 2	4.06	122.60	-6.25	8.70	10.40
4.25 - 1	4.06	122.60	-8.25	5.00	8.60
5.25 - 2	4.98	100.00	-6.25	9.60	10.50
5.25 - 1	4.98	100.00	-6.25	7.00	7.90
6.25 - 2	5.85	85.08	-6.25	10.90	10.90
6.25 - 1	5.85	85.08	-6.25	8.00	8.00
7.25	6.60	75.48	-6.25	9.60	8.80
8.25	7.75	64.29	-6.25	9.00	7.00
9.25	8.50	58.57	-6.25	11.00	8.20
10.25	9.39	53.04	-6.25	11.80	8.00

CT – CENTRE THICKNESS
 ET – EDGE THICKNESS

*** CONVEX DIOPTER TOLERANCE IS +/- 0.06

CONTROLLED COPY

Prepared by	Approved by	Page 1 of 1
SURAJ AROLKAR	YESHWANT LAWANDE	