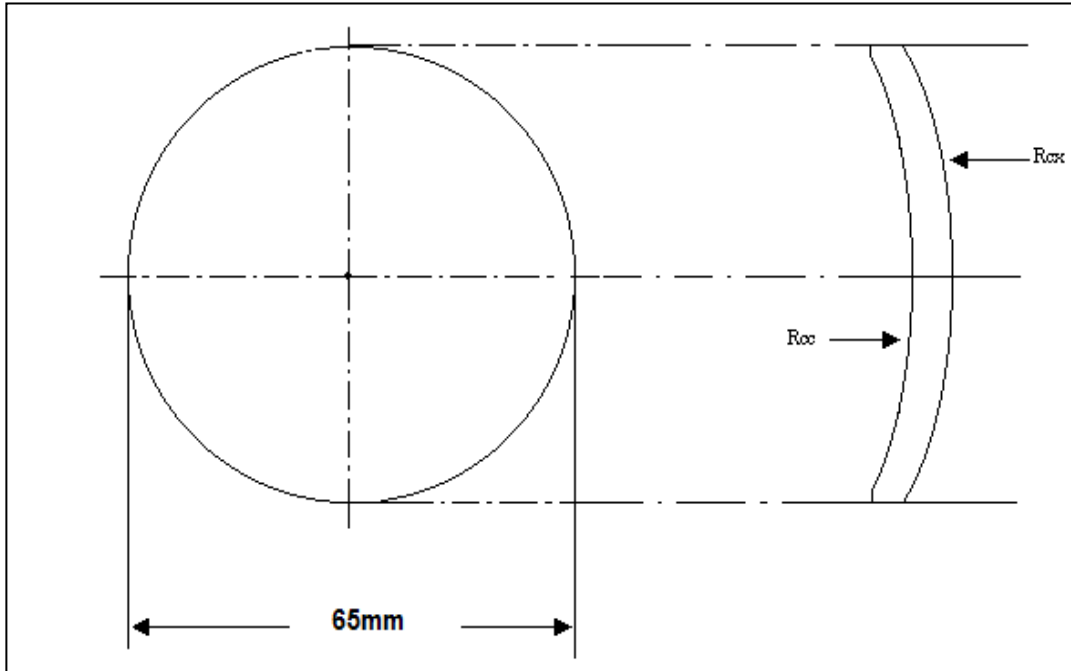


<b>GKB OPHTHALMICS LTD</b> ISO 9001:2008 CERTIFIED	<b>TECHNICAL DATA SHEET (PLASTIC)</b>	Doc. No	GKB/O/P/CR-SFSV/02
		Issue No.	02
		Issue Date.	12-04-2013
<b>SEMI-FINISHED CR-39 LENSES</b>			
<b>RI 1.498</b>	<b>SINGLE VISION</b>		<b>65 MM</b>



BASE (dpt)	True curve (dpt)	Convex Radius (mm)	Rcc (dpt)	CT (mm)	ET (mm)
PLANO	0.00	INFINITY	-6.25	9.20	15.90
0.50	0.54	920.00	-6.25	10.00	15.90
2.25	1.97	252.60	-6.25	9.30	13.70
3.25	3.55	140.30	-6.25	8.80	11.40
4.25 - 2	4.06	122.60	-6.25	8.70	10.80
4.25 - 1	4.06	122.60	-8.25	5.00	9.30
5.25 - 2	4.98	100.00	-6.25	9.60	10.60
5.25 - 1	4.98	100.00	-6.25	7.00	8.00
6.25 - 2	5.85	85.08	-6.25	10.50	10.50
6.25 - 1	5.85	85.08	-6.25	8.00	8.00
7.25	6.60	75.48	-6.25	9.50	8.60
8.25	7.75	64.29	-6.25	9.00	6.60
9.25	8.50	58.57	-6.25	11.00	7.60
10.25	9.39	53.04	-6.25	11.80	7.10

**CT – CENTRE THICKNESS**  
**ET – EDGE THICKNESS**

**\*\*\* CONVEX DIOPTER TOLERANCE IS +/- 0.06**

**CONTROLLED COPY**

<b>Prepared by</b>	<b>Approved by</b>	<b>Page 1 of 1</b>
<b>SURAJ AROLKAR</b>	<b>YESHWANT LAWANDE</b>	