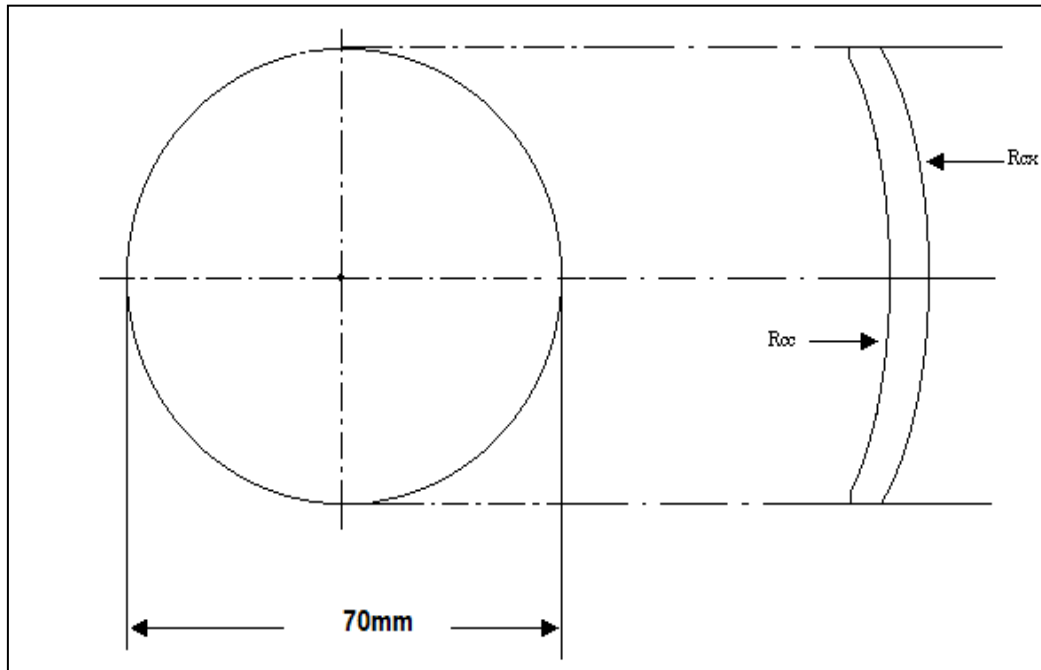


SEMI-FINISHED CR-39 LENSES

RI 1.498

SINGLE VISION

70 MM



BASE (dpt)	True curve (dpt)	Convex Radius (mm)	Rcc (dpt)	CT (mm)	ET (mm)
PLANO	0.00	INFINITY	-6.25	8.60	16.30
0.50	0.54	920.00	-6.25	9.40	16.30
2.25	1.97	252.60	-6.25	8.80	13.90
3.25	3.55	140.30	-6.25	8.40	11.50
4.25 - 2	4.06	122.60	-6.25	8.00	10.40
4.25 - 1	4.06	122.60	-8.25	5.00	10.10
5.25 - 2	4.98	100.00	-6.25	9.10	10.30
5.25 - 1	4.98	100.00	-6.25	7.00	8.20
6.25 - 2	5.85	85.08	-6.25	10.00	10.00
6.25 - 1	5.85	85.08	-6.25	8.00	8.00
7.25	6.60	75.48	-6.25	10.00	8.90
8.25	7.75	64.29	-6.25	10.30	7.50
9.25	8.50	58.57	-6.25	11.80	7.70
10.25	9.39	53.04	-6.25	13.50	7.80

CT – CENTRE THICKNESS
ET – EDGE THICKNESS

***** CONVEX DIOPTR TOLERANCE IS +/- 0.06**

CONTROLLED COPY

Prepared by	Approved by	Page 1 of 1
SURAJ AROLKAR	YESHWANT LAWANDE	