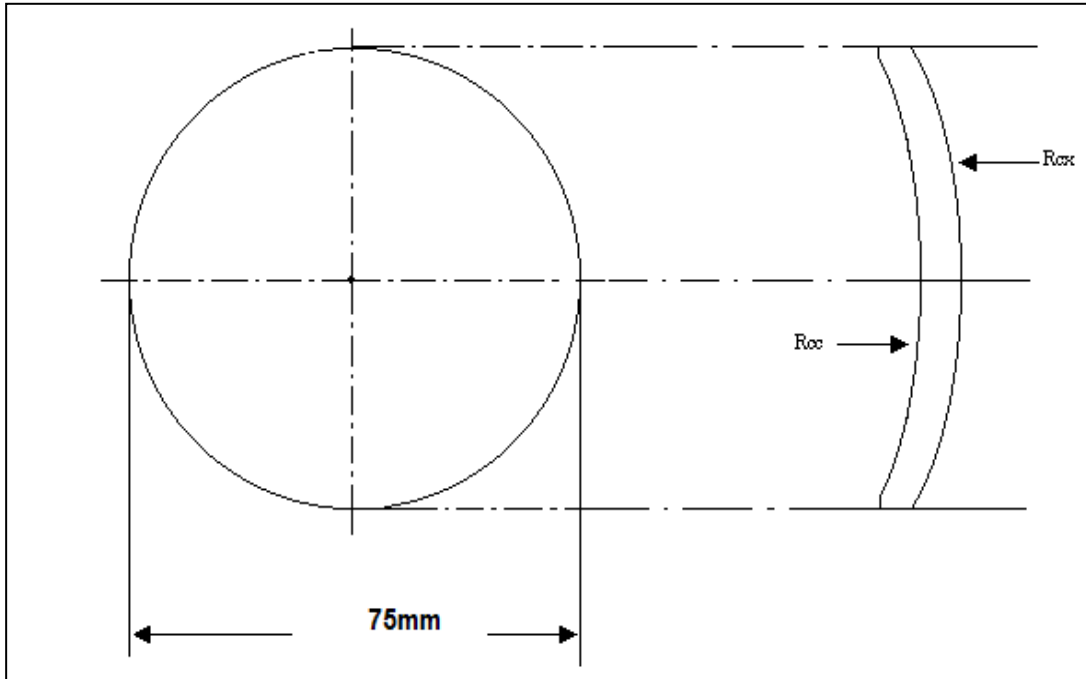


GKB OPHTHALMICS LTD ISO 9001:2008 CERTIFIED	TECHNICAL DATA SHEET (PLASTIC)	Doc. No	GKB/O/P/CR-SFSV/04
		Issue No.	03
		Issue Date.	1-04-2014
SEMI-FINISHED CR-39 LENSES			
RI 1.498	SINGLE VISION		75 MM



BASE (dpt)	True Curve (dpt)	Convex Radius (mm)	Rcc (dpt)	CT (mm)	ET (mm)
PLANO	0.00	INFINITY	-6.25	8.00	17.00
0.50	0.54	920.00	-6.25	8.81	17.00
2.25	1.97	252.60	-6.25	10.00	15.90
3.25	3.55	140.30	-6.25	9.90	13.50
4.25	4.06	122.60	-6.25	9.10	11.90
5.25	4.98	100.00	-6.25	8.00	9.40
6.25	5.85	85.08	-6.25	8.60	8.60
7.25	6.60	75.48	-6.25	9.50	8.20
8.25	7.75	64.29	-6.25	13.50	10.10
9.25	8.50	58.57	-6.25	13.80	8.90
10.25	9.39	53.04	-6.25	13.60	7.02

CT – CENTRE THICKNESS
 ET – EDGE THICKNESS

*** CONVEX DIOPTR TOLERANCE IS +/- 0.06

CONTROLLED COPY

Prepared by	Approved by	Page 1 of 1
SURAJ AROLKAR	YESHWANT LAWANDE	