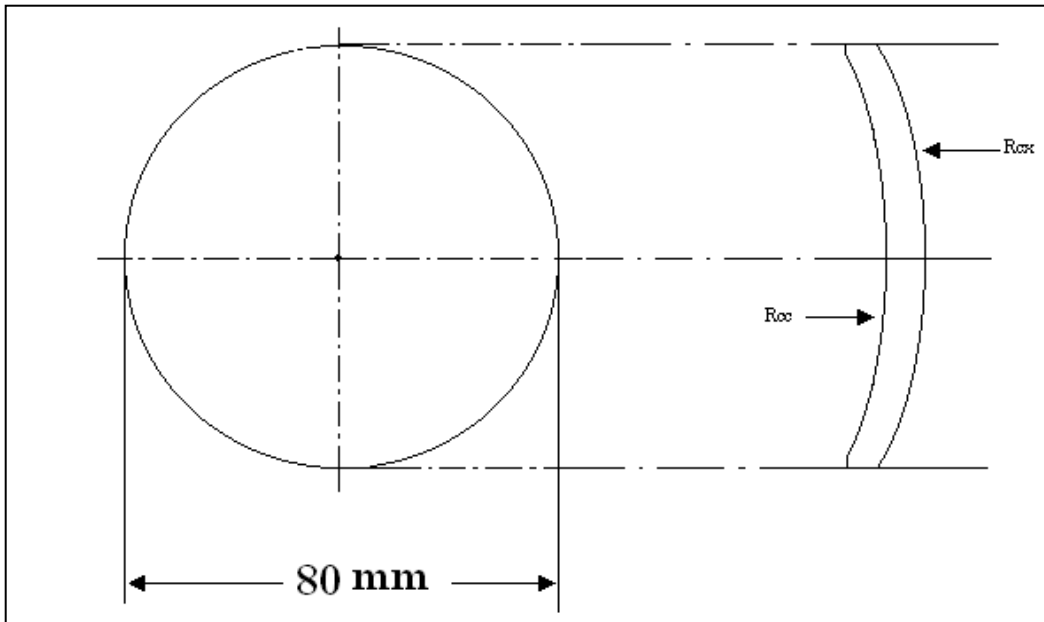


<b>GKB OPHTHALMICS LTD</b> ISO 9001:2008 CERTIFIED	<b>TECHNICAL DATA SHEET (PLASTIC)</b>	Doc. No.	GKB/O/P/CR-SFSV/05
		Issue No.	02
		Issue Date.	12-04-2013
<b>SEMI-FINISHED CR-39 LENSES</b>			
<b>RI 1.498</b>	<b>SINGLE VISION</b>		<b>80 MM</b>



BASE (dpt)	True curve (dpt)	Convex Radius (mm)	Rcc (dpt)	CT (mm)	ET (mm)
PLANO	0.00	INFINITY	-4.25	9.31	16.00
0.50	0.54	920.00	-4.25	10.18	16.00
2.25	1.97	252.60	-4.25	11.00	14.40
3.25	3.55	140.30	-6.25	8.30	12.50
4.25	4.06	122.60	-6.25	11.00	14.32
5.25	4.98	100.00	-6.25	7.50	9.10
6.25	5.85	85.08	-6.25	8.50	8.50
7.25	6.60	75.48	-6.25	9.50	8.00
8.25	7.75	64.29	-6.25	11.00	7.00
9.25	8.50	58.57	-6.25	12.00	6.20

**CT – CENTRE THICKNESS**

**ET – EDGE THICKNESS**

**\*\*\* CONVEX DIOPTER TOLERANCE IS +/- 0.06**

**CONTROLLED COPY**

<b>Prepared by</b>	<b>Approved by</b>	<b>Page 1 of 1</b>
<b>SURAJ AROLKAR</b>	<b>YESHWANT LAWANDE</b>	