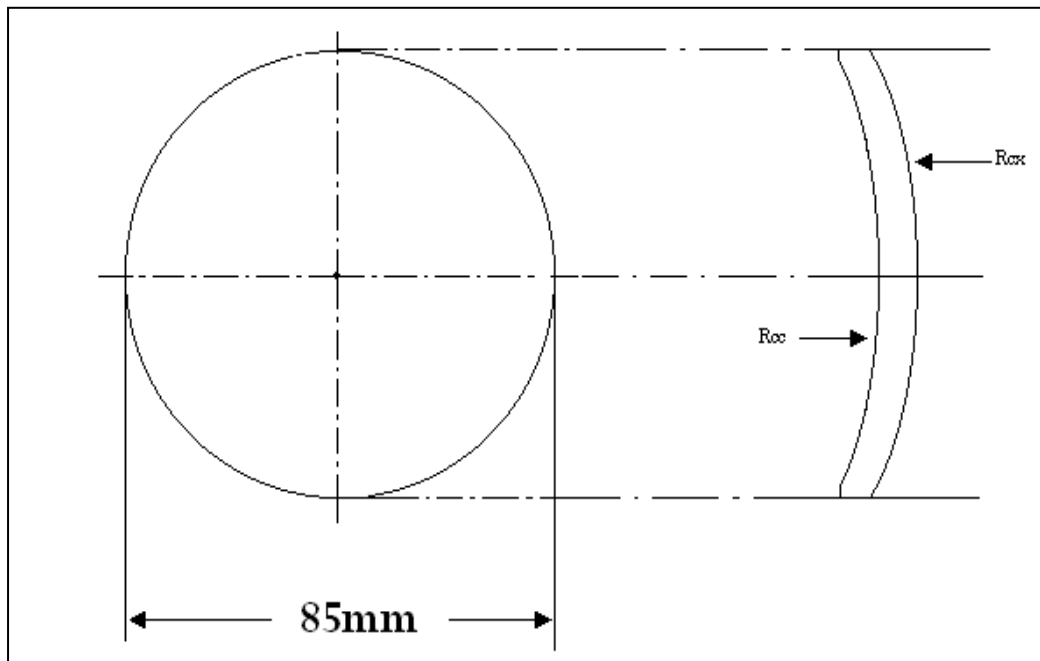


GKB OPHTHALMICS LTD ISO 9001:2008 CERTIFIED	TECHNICAL DATA SHEET (PLASTIC)	Doc. No.	GKB/O/P/CR-SFSV/06
		Issue No.	02
		Issue Date.	12-04-2013
SEMI-FINISHED CR-39 LENSES			
RI 1.498	SINGLE VISION		85 MM



BASE (dpt)	True Curve (dpt)	Convex Radius (mm)	Rcc (dpt)	CT (mm)	ET (mm)
4.25	4.06	122.60	-4.25	10.60	10.40
5.25	4.98	100.00	-6.25	8.70	10.20
6.25	5.85	85.08	-6.25	8.80	8.50
7.25	6.60	75.48	-6.25	10.10	8.50
8.25	7.75	64.29	-6.25	12.40	8.50
9.25	8.50	58.57	-6.25	14.20	8.50

CT – CENTRE THICKNESS
ET – EDGE THICKNESS

*** CONVEX DIOPTR TOLERANCE IS +/- 0.06

CONTROLLED COPY

Prepared by	Approved by	Page 1 of 1
SURAJ AROLKAR	YESHWANT LAWANDE	