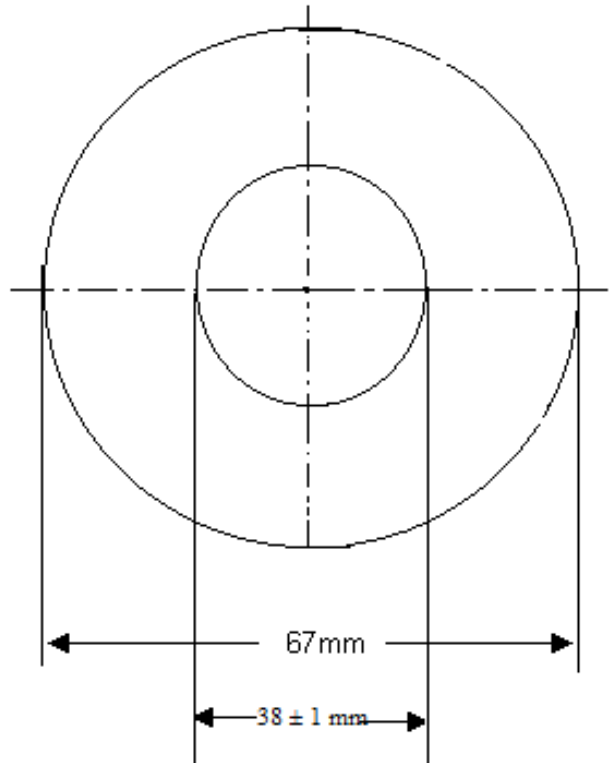


<b>GKB OPHTHALMICS LTD</b> ISO 9001:2008 CERTIFIED	<b>TECHNICAL DATA SHEET (PLASTIC)</b>	Doc. No	GKB/O/P/CR-SFSV/07
		Issue No.	05
		Issue Date.	31-07-2015
<b>SEMI-FINISHED CR-39 LENSES</b>			
<b>RI 1.498</b>	<b>LENTICULAR SINGLE VISION</b>		<b>67 MM</b>



*Tooling index = 1.498*

BASE (dpt)	True curve (dpt)	RADIUS OF CURVATURE OF BULDGE (mm)	Rcc (dpt)	ET (mm)
10.00	9.51	52.35	- 4.25	9.00
12.00	12.19	40.85	- 4.25	9.00
14.00	13.57	36.70	- 4.25	9.00
16.00	15.48	32.18	- 4.25	9.00
18.00	17.38	28.66	- 4.25	9.00
			- 4.25	12.00
20.00	19.04	26.15	- 4.25	12.00

Bevel radius for all base curves: 175.95 mm

**ET – EDGE THICKNESS**

CONTROLLED COPY

<b>Prepared by</b>	<b>Approved by</b>	<b>Page 1 of 1</b>
<b>SURAJ AROLKAR</b>	<b>YESHWANT LAWANDE</b>	