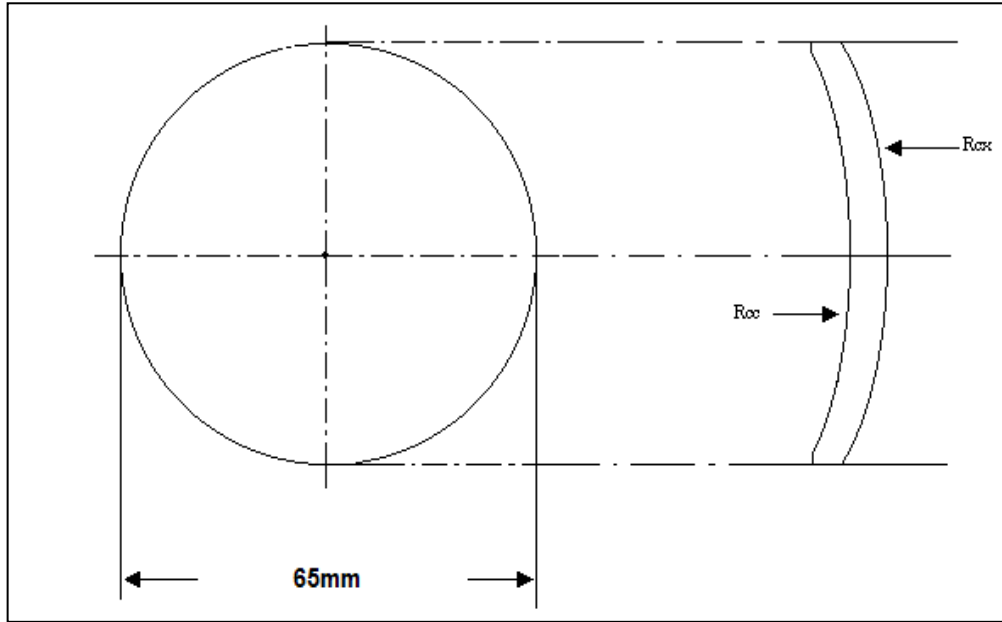


<b>GKB OPHTHALMICS LTD</b> ISO 9001:2008 CERTIFIED	<b>TECHNICAL DATA SHEET (PLASTIC)</b>	Doc. No	GKB/O/P/DN/01
		Issue No.	06
		Issue Date.	04-07-2015
<b>SEMI-FINISHED DAYNITE LENSES</b>			
<b>RI 1.560</b>	<b>GREY &amp; BROWN</b>	<b>SINGLE VISION</b>	
			<b>65 MM</b>



*Tooling Index = 1.560*

BASE (dpt)	True curve (dpt)	Rcx (mm)	Rcc (dpt)	CT (mm)	ET ( 65mm)
Plano	0.00	infinity	-4.25	10.50	14.90
0.50	0.61	920.00	-4.25	10.50	14.30
2.25	2.24	249.85	-4.25	10.50	12.70
3.25	4.00	140.08	-4.25	10.50	11.00
4.25	4.59	122.05	-4.25	10.50	10.50
5.25	5.64	99.32	-6.25	5.50	6.59
6.25	6.62	84.53	-6.25	6.50	6.50
7.25	7.43	75.42	-4.25	7.00	4.05
8.25	8.76	63.92	-4.25	8.00	3.55
9.25	9.63	58.17	-4.25	10.00	4.55
10.25	10.57	52.98	-4.25	10.00	3.27

**CT – CENTRE THICKNESS**  
**ET – EDGE THICKNESS**

CONTROLLED COPY

<b>Prepared by</b>	<b>Approved by</b>	<b>Page 1 of 1</b>
<b>SURAJ AROLKAR</b>	<b>YESHWANT LAWANDE</b>	