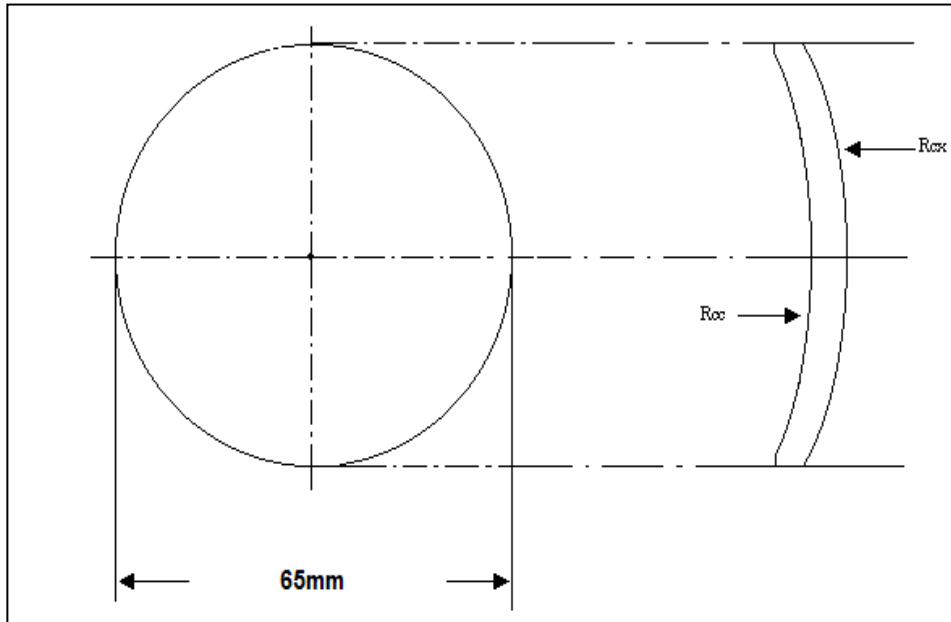


GKB OPHTHALMICS LTD ISO 9001:2008 CERTIFIED	TECHNICAL DATA SHEET (PLASTIC)	Doc. No	GKB/O/P/DN/02
		Issue No.	04
		Issue Date.	04-07-2015
SEMI-FINISHED DAYNITE LENSES			
RI 1.560	GREY & BROWN	SINGLE VISION (THIN)	
			65 MM



Tooling Index = 1.560

BASE (dpt)	True curve (dpt)	Rcx (mm)	Rcc (dpt)	CT (mm)	ET (65mm)
4.25	4.59	122.05	-4.25	9.00	9.00
6.25	6.62	84.53	-6.25	4.50	4.50

CT – CENTRE THICKNESS
ET – EDGE THICKNESS

CONTROLLED COPY

Prepared by	Approved by	Page 1 of 1
SURAJ AROLKAR	YESHWANT LAWANDE	