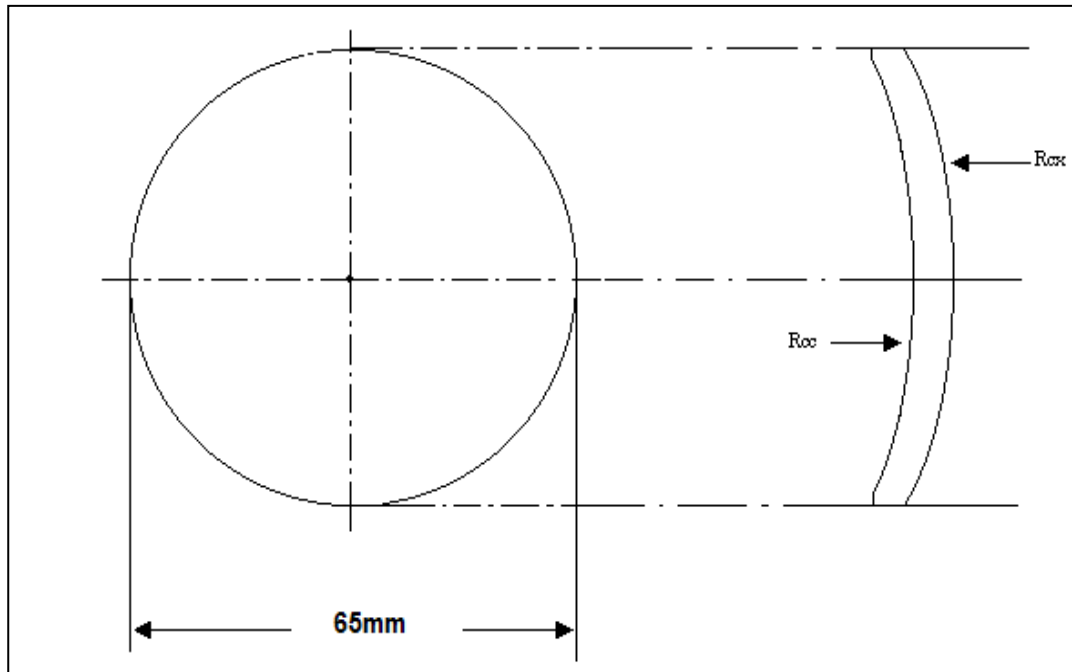


GKB OPHTHALMICS LTD ISO 9001 CERTIFIED	TECHNICAL DATA SHEET (PLASTIC)	Doc. No	GKB/O/P/CR-SFSV/02
		Issue No.	03
		Issue Date.	11-11-2022
SEMI-FINISHED CR-39 LENSES			
RI 1.498	SINGLE VISION		65 MM



BASE (dpt)	True curve (dpt)	Convex Radius (mm)	Rcc (dpt)	CT (mm)	ET (mm)
PLANO	0.00	INFINITY	-6.25	6.60	13.30
0.50	0.54	920.00	-6.25	7.40	13.30
2.25	1.97	252.60	-6.25	6.80	11.20
3.25	3.55	140.30	-6.25	6.40	9.10
4.25	4.06	122.60	-6.25	7.00	9.10
5.25	4.98	100.00	-6.25	9.00	10.00
6.25	5.85	85.08	-6.25	9.00	9.00
7.25	6.60	75.48	-6.25	9.50	8.60
8.25	7.75	64.29	-6.25	9.00	6.60
9.25	8.50	58.57	-6.25	11.00	7.60
10.25	9.39	53.04	-6.25	11.80	7.10

CT – CENTRE THICKNESS
ET – EDGE THICKNESS

***** CONVEX DIOPTR TOLERANCE IS +/- 0.06**

Prepared by	Approved by	Page 1 of 1
VISHAL MATONKAR	AMOL MANDREKAR	