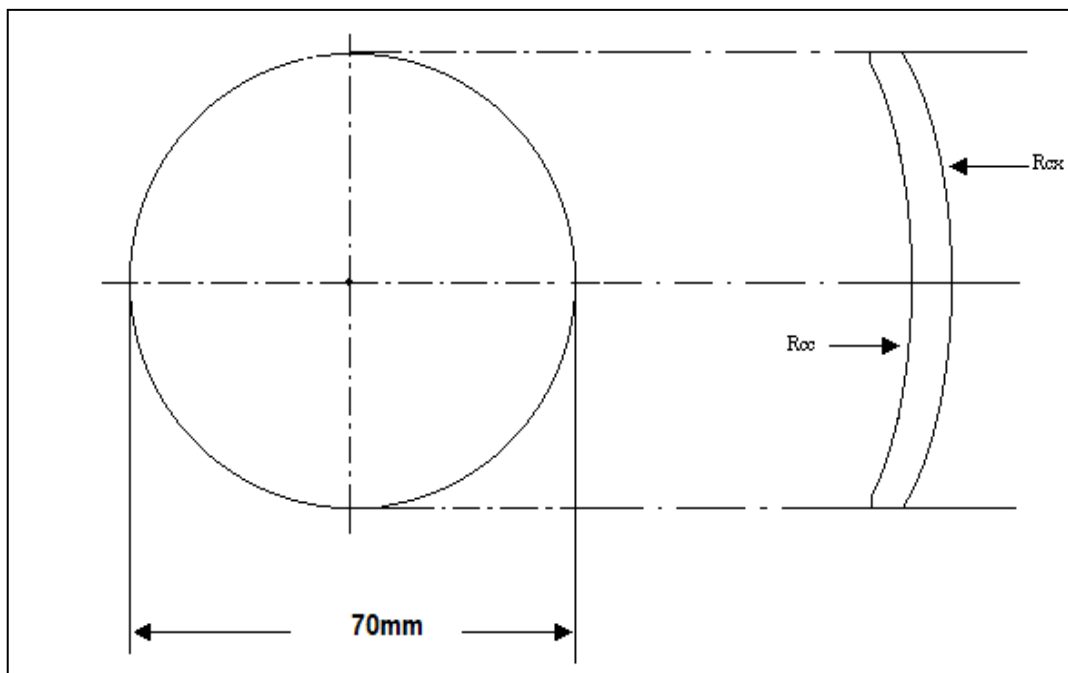


<b>GKB OPHTHALMICS LTD</b> ISO 9001 CERTIFIED	<b>TECHNICAL DATA SHEET (PLASTIC)</b>	Doc. No	GKB/O/P/CR-SFSV/03
		Issue No.	05
		Issue Date.	20-07-2022
<b>SEMI-FINISHED CR-39 LENSES</b>			
<b>RI 1.498</b>	<b>SINGLE VISION</b>		<b>70 MM</b>



BASE (dpt)	True curve (dpt)	Convex Radius (mm)	Rcc (dpt)	CT (mm)	ET (mm)
PLANO	0.00	INFINITY	-6.25	6.60	14.30
0.50	0.54	920.00	-6.25	7.40	14.30
2.25	1.97	252.60	-6.25	6.80	11.90
3.25	3.55	140.30	-6.25	6.40	9.50
4.25	4.06	122.60	-6.25	7.00	9.40
5.25	4.98	100.00	-6.25	9.10	10.30
6.25	5.85	85.08	-6.25	9.00	9.00
7.25	6.60	75.48	-6.25	10.00	8.90
8.25	7.75	64.29	-6.25	10.30	7.50
9.25	8.50	58.57	-6.25	11.80	7.70
10.25	9.39	53.04	-6.25	13.50	7.80

**CT – CENTRE THICKNESS**  
**ET – EDGE THICKNESS**

**\*\*\* CONVEX DIOPTR TOLERANCE IS +/- 0.06**

<b>Prepared by</b>	<b>Approved by</b>	<b>Page 1 of 1</b>
<b>AMOL MANDREKAR</b>	<b>SUBHASH REDKAR</b>	