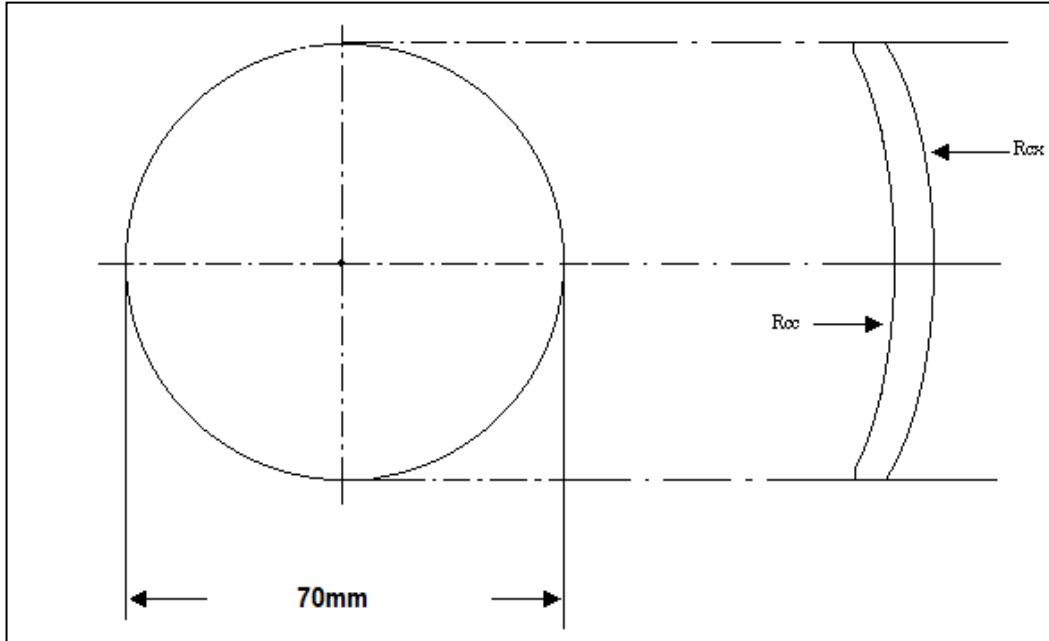


GKB OPHTHALMICS LTD ISO 9001 CERTIFIED	TECHNICAL DATA SHEET (PLASTIC)	Doc. No	GKB/O/P/BC/03
		Issue No.	04
		Issue Date.	18-01-2024
SEMI-FINISHED BLUCHECK LENSES			
RI 1.56	SINGLE VISION		70 MM



Tooling Index = 1.560

BASE (dpt)	True curve (dpt)	Rcx (mm)	Rcc (dpt)	CT (mm)	ET (70mm)
PLANO	0.00	INFINITY	-6.25	4.80	12.50
0.50	0.61	920.00	-6.25	5.00	12.00
2.25	2.24	249.85	-6.25	5.70	11.00
4.25	4.59	122.05	-6.25	5.50	8.00
5.25	5.64	99.32	-6.25	6.50	7.90
6.25	6.62	84.53	-6.25	6.00	6.00
8.25	8.76	63.92	-4.25	9.00	3.75
10.25	10.57	52.98	-4.25	10.50	5.00

CT – CENTRE THICKNESS
 ET – EDGE THICKNESS

Prepared by	Approved by	Page 1 of 1
VISHAL MATONKAR	AMOL MANDREKAR	