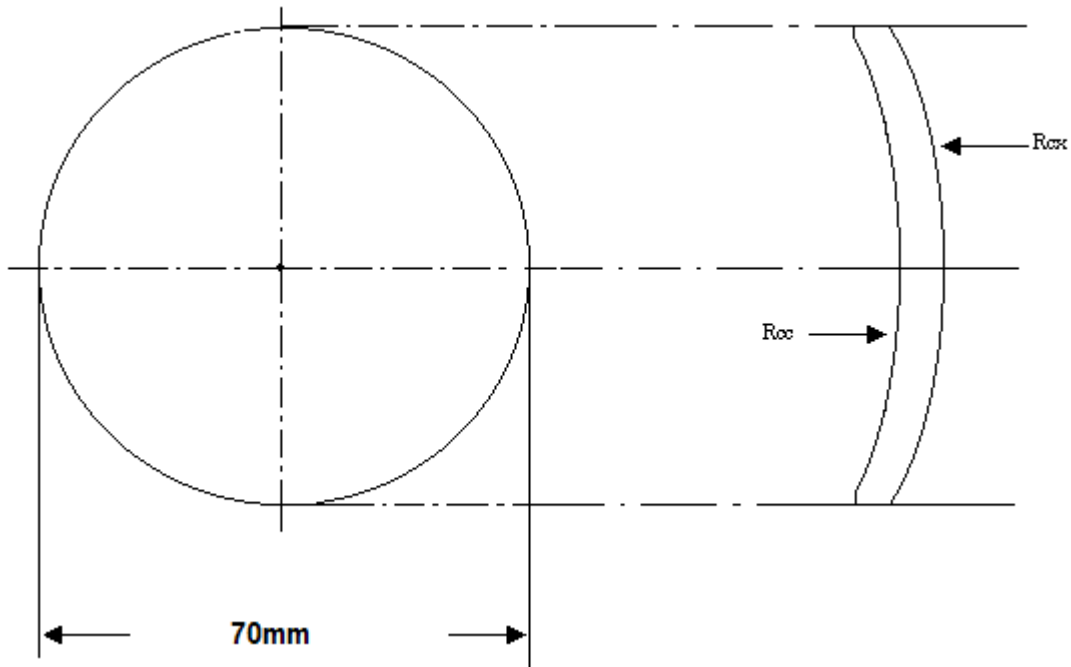


GKB OPHTHALMICS LTD ISO 9001 CERTIFIED	TECHNICAL DATA SHEET (PLASTIC)	Doc. No	GKB/O/P/DN/03
		Issue No.	09
		Issue Date.	04-02-2022
SEMI-FINISHED DAYNITE LENSES			
RI 1.560	GREY & BROWN	SINGLE VISION	
			70 MM



Tooling Index = 1.560

BASE (dpt)	True curve (dpt)	Rcx (mm)	Rcc (dpt)	CT (mm)	ET (70mm)
PLANO	0.00	INFINITY	-4.25	10.50	15.55
0.50	0.61	920.00	-4.25	10.50	15.00
2.25	2.24	249.85	-4.25	10.50	13.20
3.25	4.00	140.08	-4.25	10.50	11.15
4.25	4.59	122.05	-4.25	8.50	8.50
5.25	5.64	99.32	-6.25	5.50	6.78
6.25	6.62	84.53	-6.25	6.50	6.50
7.25	7.43	75.42	-4.25	8.00	4.56
8.25	8.76	63.92	-4.25	9.00	3.75

CT – CENTRE THICKNESS
ET – EDGE THICKNESS

Prepared by	Approved by	Page 1 of 1
AMOL MANDREKAR	SUBHASH REDKAR	