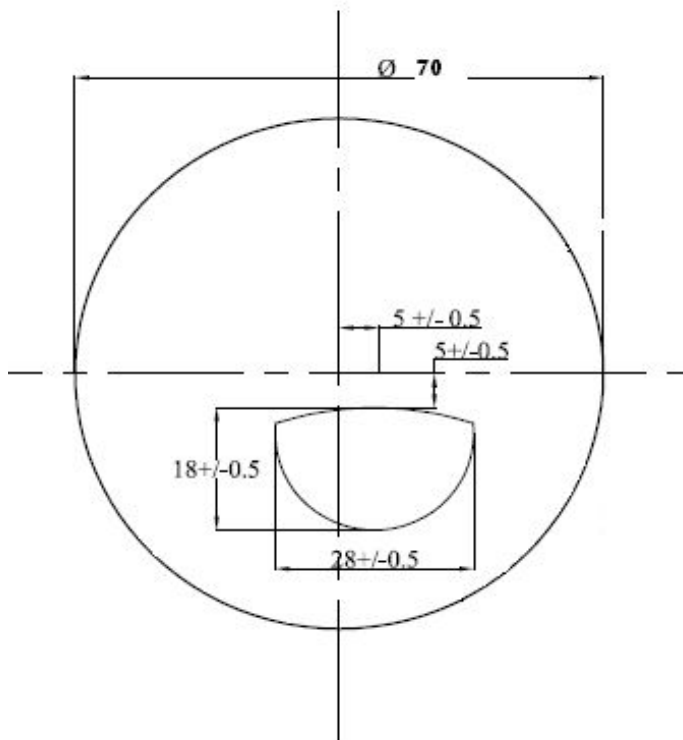


<b>GKB OPHTHALMICS LTD</b> ISO 9001:2008 CERTIFIED	<b>TECHNICAL DATA SHEET (PLASTIC)</b>	Doc. No	GKB/O/P/CR-SCT/22
		Issue No.	03
		Issue Date.	6-1-2015
<b>SEMI-FINISHED CR-39 LENSES</b>			
<b>RI 1.498</b>	<b>CURVE TOP 28 BIFOCAL (C 28)</b>		<b>70 MM</b>



**PRODUCT RANGE**

BASE (dpt)	True Curve (dpt)	CONVEX RADIUS (mm)	RCC (dpt)	C.T (mm)	E.T (mm)
2.25	2.13	234.10	-6.25	6.00	11.20
4.25	3.96	125.60	-6.25	6.50	9.25
6.25	5.89	84.60	-6.25	7.30	7.60
8.25	7.81	63.80	-6.25	9.30	6.80

**POWER RANGE**

BASE (dpt)	ADDITION (dpt)											
	0.75	1.00	1.25	1.50	1.75	2.00	2.25	2.50	2.75	3.00	3.25	3.50
2.25	*	*	*	*	*	*	*	*	*	*	*	*
4.25	*	*	*	*	*	*	*	*	*	*	*	*
6.25	*	*	*	*	*	*	*	*	*	*	*	*
8.25	*	*	*	*	*	*	*	*	*	*	*	*

**CT – CENTRE THICKNESS**  
**ET – EDGE THICKNESS**

<b>Prepared by</b>	<b>Approved by</b>	<b>Page 1 of 1</b>
<b>SURAJ AROLKAR</b>	<b>YESHWANT LAWANDE</b>	