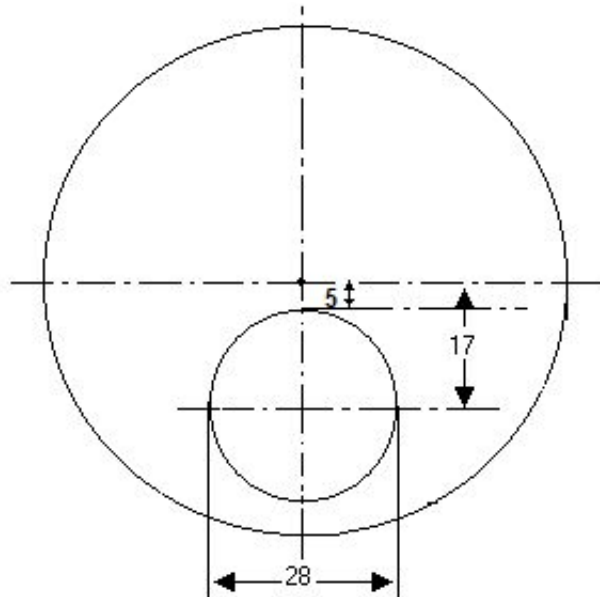


GKB OPHTHALMICS LTD ISO 9001:2008 CERTIFIED	TECHNICAL DATA SHEET (PLASTIC)	Doc. No	GKB/O/P/BC/12
		Issue No.	01
		Issue Date.	30-12-2017
SEMI-FINISHED BLUCHECK LENSES			
RI 1.56	KRYPTOK 28 (KT 28)		70 MM



PRODUCT RANGE

Tooling Index = 1.560

BASE (dpt)	True curve (dpt)	CONVEX RADIUS (mm)	RCC (dpt)	C.T. (mm)	E.T. (mm)
1.50	1.38	407.20	- 6.25	8.50	14.72
4.50	4.85	115.50	- 6.25	7.50	9.80
6.25	6.63	84.50	- 6.25	6.50	6.50
8.25	8.96	62.50	- 6.25	9.50	6.52

POWER RANGE

BASE (dpt)	ADDITION (dpt)									
	0.75	1.00	1.25	1.50	1.75	2.00	2.25	2.50	2.75	3.00
1.50	*	*	*	*	*	*	*	*	*	*
4.50	*	*	*	*	*	*	*	*	*	*
6.25	*	*	*	*	*	*	*	*	*	*
8.25	*	*	*	*	*	*	*	*	*	*

CT – CENTRE THICKNESS
ET – EDGE THICKNESS

Prepared by	Approved by	Page 1 of 1
SURAJ AROLKAR	YESHWANT LAWANDE	