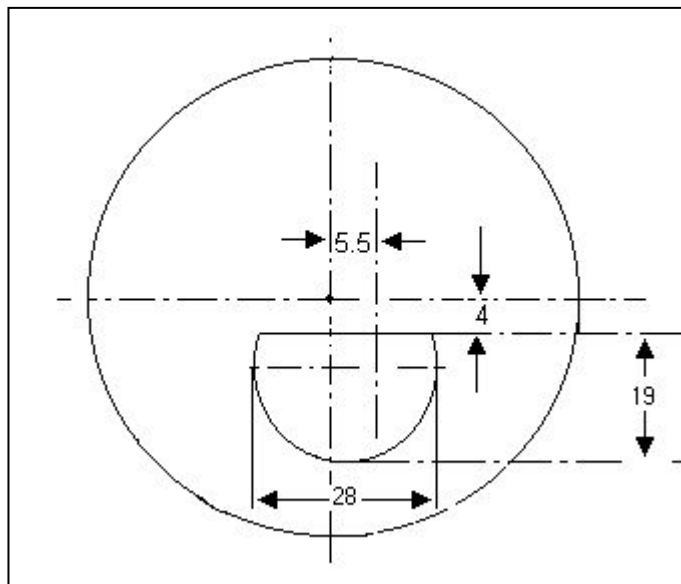


GKB OPHTHALMICS LTD ISO 9001:2008 CERTIFIED	TECHNICAL DATA SHEET (PLASTIC)	Doc. No	GKB/O/P/DN/05
		Issue No.	08
		Issue Date.	2-4-2016
SEMI-FINISHED DAYNITE LENSES			
RI 1.560	GREY & BROWN	BIFOCAL FLAT TOP 28 (D28)	
			65 MM



PRODUCT RANGE

Tooling Index : 1.560

BASE (dpt)	True curve (dpt)	CONVEX RADIUS (mm)	RCC (dpt)	C.T. (mm)	E.T. (mm)
4.50	4.85	115.50	- 6.25	7.00	9.00
6.25	6.63	84.50	- 6.25	6.50	6.50

POWER RANGE

BASE (dpt)	ADDITION (dpt)													
	0.75	1.00	1.25	1.50	1.75	2.00	2.25	2.50	2.75	3.00	3.25	3.50	3.75	4.00
4.50	*	*	*	*	*	*	*	*	*	*	*	*	*	*
6.25	*	*	*	*	*	*	*	*	*	*	*	*	*	*

CT – CENTRE THICKNESS
ET – EDGE THICKNESS

Prepared by	Approved by	Page 1 of 1
SURAJ AROLKAR	YESHWANT LAWANDE	