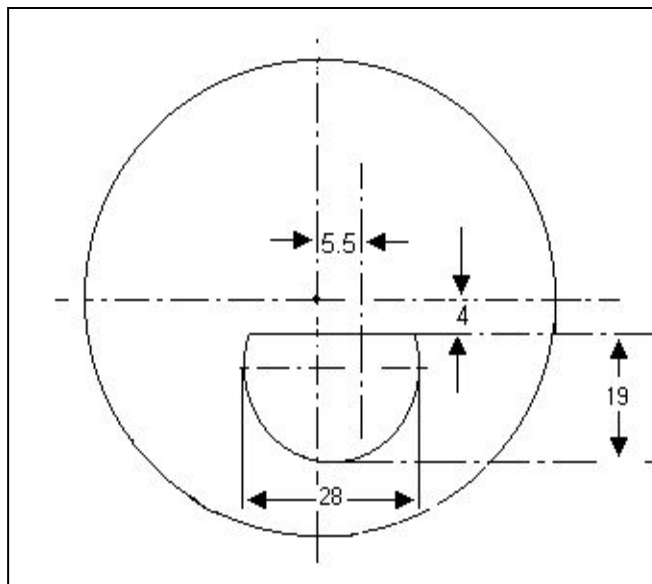


<b>GKB OPHTHALMICS LTD</b> ISO 9001:2008 CERTIFIED	<b>TECHNICAL DATA SHEET (PLASTIC)</b>	Doc. No	GKB/O/P/DN/06
		Issue No.	09
		Issue Date.	27-09-2016
<b>SEMI-FINISHED DAYNITE LENSES</b>			
<b>RI 1.560</b>	<b>GREY &amp; BROWN</b>	<b>FLAT TOP 28 BIFOCAL (D28)</b>	
			<b>70 MM</b>



**PRODUCT RANGE**

*Tooling Index : 1.560*

BASE (dpt)	True curve (dpt)	CONVEX RADIUS (mm)	RCC (dpt)	C.T. (mm)	E.T. (mm)
1.50	1.38	407.2	- 6.25	8.50	14.72
4.50	4.85	115.50	- 6.25	7.50	9.80
6.25	6.63	84.50	- 6.25	6.50	6.50
8.25	8.96	62.50	- 6.25	9.50	6.52

**POWER RANGE**

BASE (dpt)	ADDITION (dpt)													
	0.75	1.00	1.25	1.50	1.75	2.00	2.25	2.50	2.75	3.00	3.25	3.50	3.75	4.00
1.50	*	*	*	*	*	*	*	*	*	*	*	*	*	*
4.50	*	*	*	*	*	*	*	*	*	*	*	*	*	*
6.25	*	*	*	*	*	*	*	*	*	*	*	*	*	*
8.25	*	*	*	*	*	*	*	*	*	*	*	*	*	*

**CT – CENTRE THICKNESS**  
**ET – EDGE THICKNESS**

<b>Prepared by</b> <b>SURAJ AROLKAR</b>	<b>Approved by</b> <b>YESHWANT LAWANDE</b>	<b>Page 1 of 1</b>