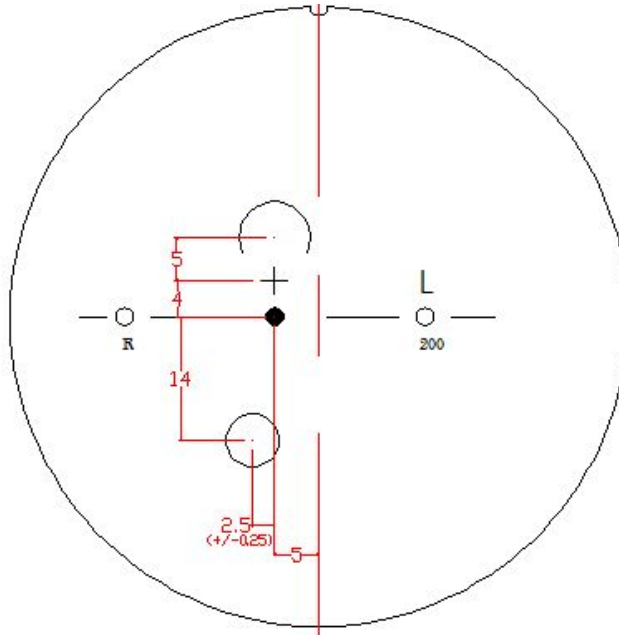


GKB OPHTHALMICS LTD ISO 9001:2008 CERTIFIED	TECHNICAL DATA SHEET (PLASTIC)	Doc. No	GKB/O/P/CR-NC/28UV
		Issue No.	00
		Issue Date.	23-1-2018
SEMI-FINISHED BLUCHECK LENSES			
RI 1.50	UV 420 made on Mitsui RAV 7BC	PROASPHERICA DIGITAL	70 MM



**PROGRESSIVE REGULAR CORRIDOR
(MINIMUM FITTING HEIGHT = 18 MM)**

PRODUCT RANGE

BASE (dpt)	True curve (dpt)	CONVEX RADIUS(mm)	RCC(dpt)	C.T.(mm)	E.T.(mm)
1.50	1.38	360.00	-6.25	8.76	14.80
3.50	3.32	150.00	-6.25	8.22	11.82
5.75	5.44	91.60	-6.25	7.00	7.80
7.75	7.37	67.60	-6.25	9.50	7.50

POWER RANGE

BASE (dpt)	ADDITION(dpt)									
	0.75	1.00	1.25	1.50	1.75	2.00	2.25	2.50	2.75	3.00
1.50	*	*	*	*	*	*	*	*	*	*
3.50	*	*	*	*	*	*	*	*	*	*
5.75	*	*	*	*	*	*	*	*	*	*
7.75	*	*	*	*	*	*	*	*	*	*

**CT – CENTRE THICKNESS
ET – EDGE THICKNESS**

Prepared by	Approved by	Page 1 of 1
SURAJ AROLKAR	YESHWANT LAWANDE	