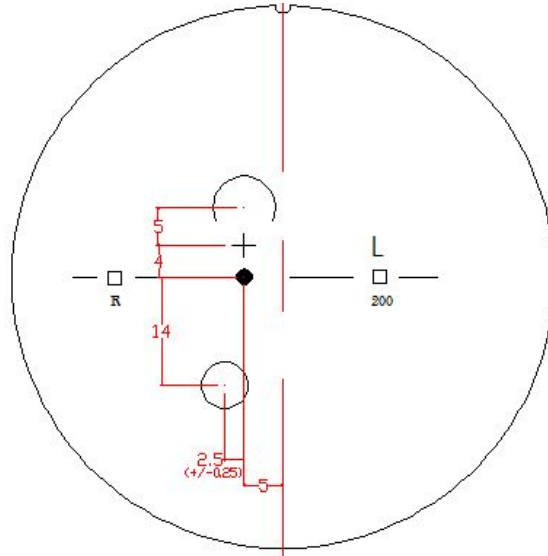


<b>GKB OPHTHALMICS LTD</b> ISO 9001:2008 CERTIFIED	<b>TECHNICAL DATA SHEET (PLASTIC)</b>	Doc. No	GKB/O/P/DN/15
		Issue No.	08
		Issue Date.	04-07-2015
<b>SEMI-FINISHED DAYNITE LENSES</b>			
<b>RI 1.560</b>	<b>GREY &amp; BROWN</b>	<b>PROASPHERICA DIGITAL</b>	
			<b>70 MM</b>



**PROGRESSIVE REGULAR CORRIDOR  
(MINIMUM FITTING HEIGHT = 18 MM)**

**PRODUCT RANGE**

*Tooling Index =*  
**1.560**

BASE (dpt)	True curve (dpt)	CONVEX RADIUS (mm)	RCC (dpt)	C.T. (mm)	E.T. (mm)
1.50	1.56	360.00	-4.25	11.20	14.61
3.50	3.73	150.00	-4.25	10.50	11.45
5.75	6.11	91.60	-6.25	6.61	7.40
7.75	8.28	67.60	-6.25	8.45	6.42

**POWER RANGE**

BASE (dpt)	ADDITION (dpt)									
	0.75	1.00	1.25	1.50	1.75	2.00	2.25	2.50	2.75	3.00
1.50	*	*	*	*	*	*	*	*	*	*
3.50	*	*	*	*	*	*	*	*	*	*
5.75	*	*	*	*	*	*	*	*	*	*
7.75	*	*	*	*	*	*	*	*	*	*

**CT – CENTRE THICKNESS  
ET – EDGE THICKNESS**

<b>Prepared by</b>	<b>Approved by</b>	<b>Page 1 of 1</b>
<b>SURAJ AROLKAR</b>	<b>YESHWANT LAWANDE</b>	