

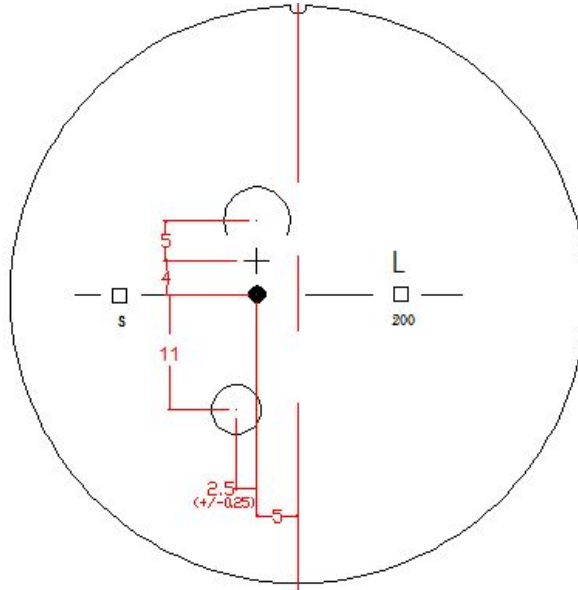
SEMI-FINISHED DAYNITE LENSES

RI 1.560

GREY & BROWN

PROSHORT DIGITAL

70 MM



**PROGRESSIVE SHORT CORRIDOR
(MINIMUM FITTING HEIGHT = 15 MM)**

PRODUCT RANGE

Tooling Index = 1.560

BASE (dpt)	True curve (dpt)	CONVEX RADIUS (mm)	RCC (dpt)	C.T.(mm)	E.T.(mm)
1.50	1.56	360.00	-4.25	11.20	14.61
3.50	3.73	150.00	-4.25	10.50	11.45
5.75	6.11	91.60	-6.25	6.61	7.40
7.75	8.28	67.60	-6.25	8.45	6.42

POWER RANGE

BASE (dpt)	ADDITION (dpt)									
	0.75	1.00	1.25	1.50	1.75	2.00	2.25	2.50	2.75	3.00
1.50	*	*	*	*	*	*	*	*	*	*
3.50	*	*	*	*	*	*	*	*	*	*
5.75	*	*	*	*	*	*	*	*	*	*
7.75	*	*	*	*	*	*	*	*	*	*

**CT – CENTRE THICKNESS
ET – EDGE THICKNESS**

Prepared by	Approved by	Page 1 of 1
SURAJ AROLKAR	YESHWANT LAWANDE	