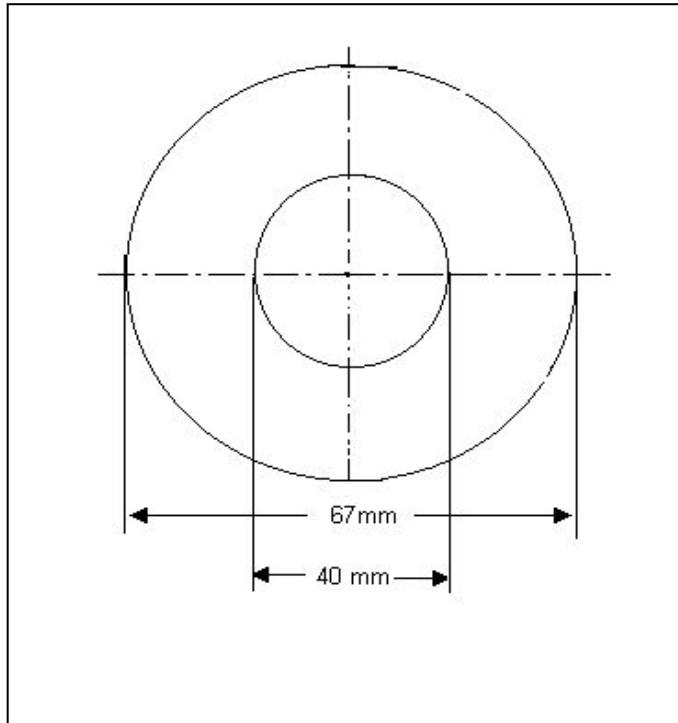


GKB OPHTHALMICS LTD ISO 9001:2008 CERTIFIED	TECHNICAL DATA SHEET (PLASTIC)	Doc. No.	GKB/O/P/CR-SFSV/08
		Issue No.	02
		Issue Date.	12-04-2013
SEMI-FINISHED CR-39 LENSES			
RI 1.498	ASPHERIC LENTICULAR SINGLE VISION		67 MM



BASE (dpt)	True curve (dpt)	RADIUS OF CURVATURE OF BULDGE (mm)	RCC (dpt)	E.T. (mm)
10.00	10.00	49.81	-4.25	5.00
10.50	10.50	47.43	-4.25	5.00
11.00	11.00	45.27	-4.25	5.00
11.50	11.50	43.30	-4.25	5.00
12.00	12.00	41.50	-4.25	5.00
12.50	12.50	39.84	-4.25	5.00
13.00	13.00	38.31	-4.25	5.00
13.50	13.50	36.89	-4.25	5.00
14.00	14.00	35.57	-4.25	5.00
14.50	14.50	34.35	-4.25	5.00
15.00	15.00	33.20	-4.25	5.00
15.50	15.50	32.13	-4.25	5.00
16.00	16.00	31.13	-4.25	5.00

ET – Edge Thickness

Base Tolerance – +/- 0.50 dpt

Prepared by SURAJ AROLKAR	Approved by YESHWANT LAWANDE	Page 1 of 1
--	---	--------------------