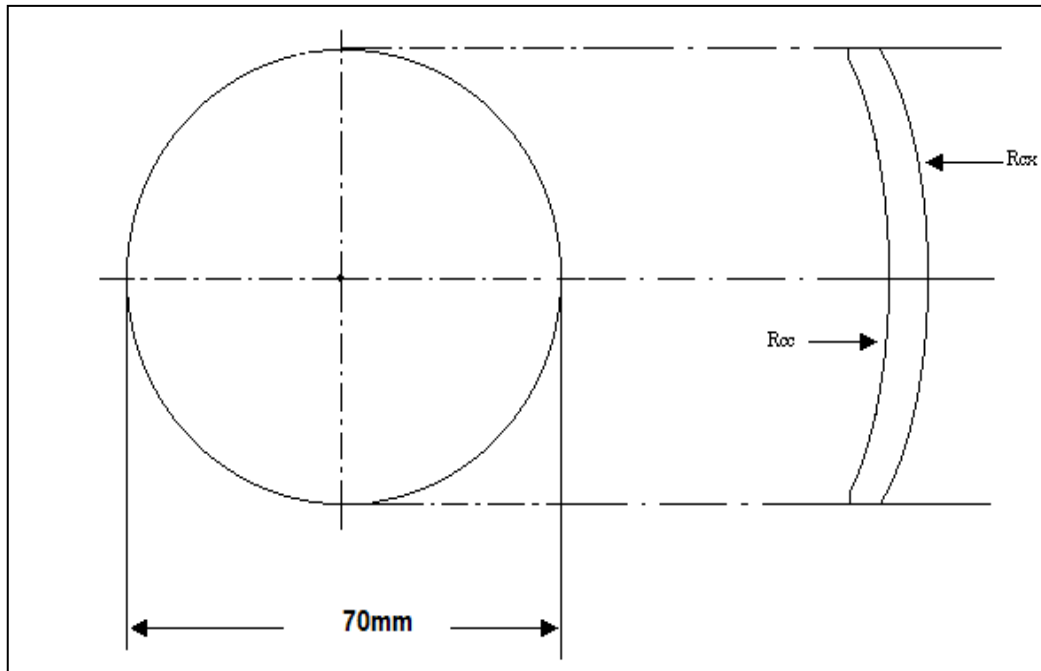


SEMI-FINISHED BLUCHECK LENSES

RI 1.50	UV 420 made on Mitsui RAV 7BC	SINGLE VISION	70 MM
----------------	--------------------------------------	----------------------	--------------



BASE (dpt)	True curve (dpt)	Convex Radius (mm)	R _{cc} (dpt)	CT (mm)	ET (mm)
0.50	0.54	920.00	-4.25	11.90	16.30
2.25	1.97	252.60	-2.25	13.90	13.90
4.25	4.06	122.60	-4.25	8.40	8.40
5.25	4.98	100.00	-6.25	9.10	10.30
6.25	5.85	85.08	-6.25	8.00	8.00
8.25	7.75	64.29	-8.25	10.30	10.30
10.25	9.39	53.04	-9.25	13.50	11.94

CT – CENTRE THICKNESS
ET – EDGE THICKNESS

***** CONVEX DIOPTR TOLERANCE IS +/- 0.06**

Prepared by	Approved by	Page 1 of 1
AMOL MANDREKAR	SUBHASH REDKAR	