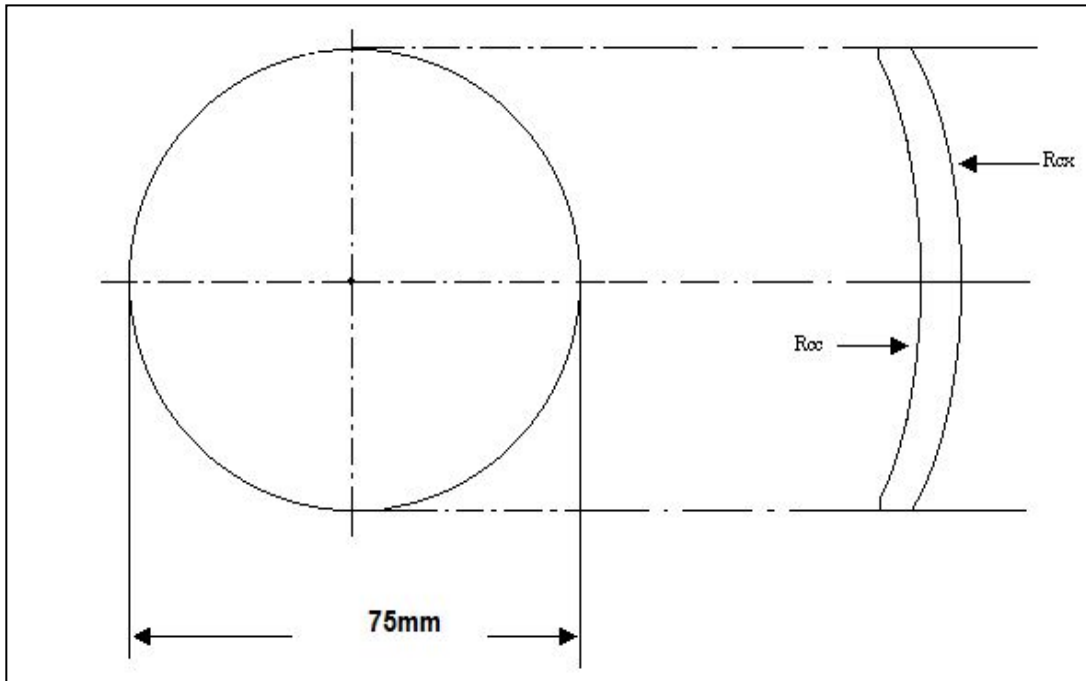


SEMI-FINISHED BLUCHECK LENSES			
RI 1.50	UV 420 made on Mitsui RAV 7BC	SINGLE VISION	75 MM



BASE (dpt)	True Curve (dpt)	Convex Radius (mm)	Rcc (dpt)	CT (mm)	ET (mm)
0.50	0.54	920.00	-4.25	11.90	17.00
2.25	1.97	252.60	-2.25	15.90	15.90
4.25	4.06	122.60	-4.25	11.90	11.90
5.25	4.98	100.00	-6.25	8.00	9.40
6.25	5.85	85.08	-6.25	8.60	8.60
8.25	7.75	64.29	-8.25	13.50	13.50
10.25	9.39	53.04	-8.25	13.60	10.20

CT – CENTRE THICKNESS
 ET – EDGE THICKNESS

*** CONVEX DIOPTR TOLERANCE IS +/- 0.06