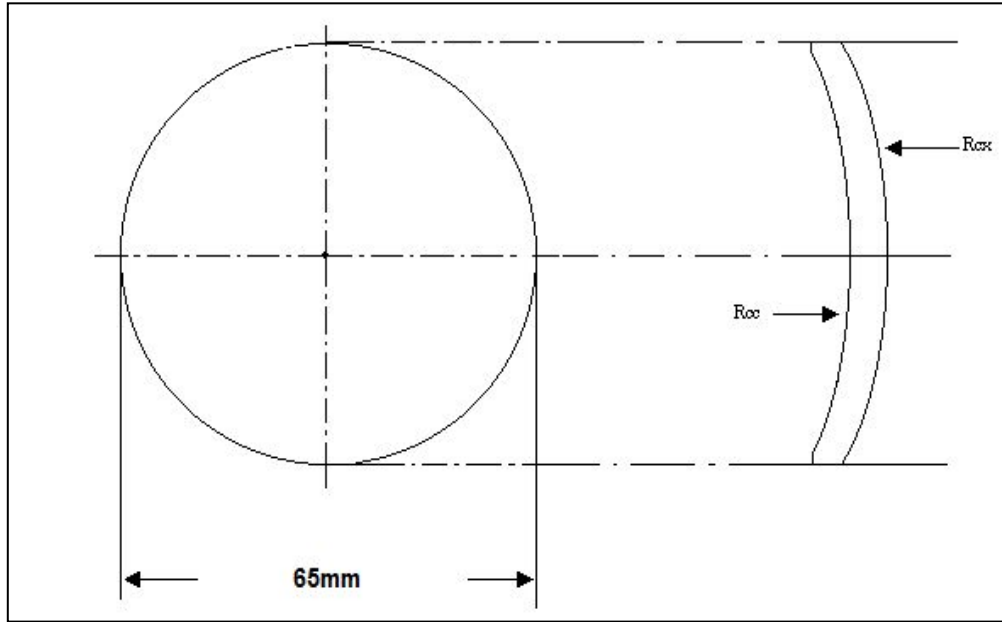


<b>GKB OPHTHALMICS LTD</b> ISO 9001:2008 CERTIFIED	<b>TECHNICAL DATA SHEET (PLASTIC)</b>	Doc. No	GKB/O/P/FC/01
		Issue No.	01
		Issue Date.	2-11-2017
<b>SEMI-FINISHED DAYNITE FAST CHANGE LENSES</b>			
<b>RI 1.560</b>	<b>GREY &amp; BROWN</b>	<b>SINGLE VISION</b>	
			<b>65 MM</b>



*Tooling Index = 1.560*

BASE (dpt)	True curve (dpt)	Rcx (mm)	Rcc (dpt)	CT (mm)	ET ( 65mm)
PLANO	0.00	INFINITY	-6.25	7.00	13.00
0.50	0.61	920.00	-6.25	6.50	12.50
2.25	2.24	249.85	-6.25	5.50	10.00
3.25	4.00	140.08	-6.25	6.70	9.50
4.25	4.59	122.05	-6.25	6.80	9.00
5.25	5.64	99.32	-6.25	5.50	6.70
6.25	6.62	84.53	-6.25	6.50	6.60
7.25	7.43	75.42	-4.25	7.00	4.00
8.25	8.76	63.92	-4.25	8.00	3.50
9.25	9.63	58.17	-4.25	10.00	4.50
10.25	10.57	52.98	-4.25	10.00	3.25

**CT – CENTRE THICKNESS**

**ET – EDGE THICKNESS**

<b>Prepared by</b>	<b>Approved by</b>	<b>Page 1 of 1</b>
<b>SURAJ AROLKAR</b>	<b>YESHWANT LAWANDE</b>	