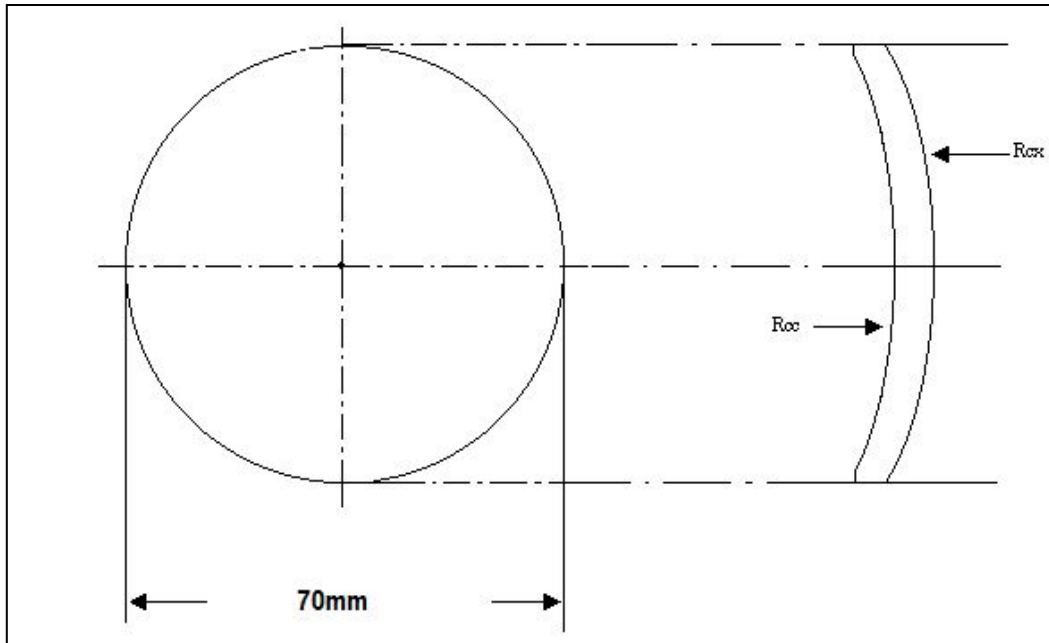


<b>GKB OPHTHALMICS LTD</b> ISO 9001:2008 CERTIFIED	<b>TECHNICAL DATA SHEET (PLASTIC)</b>		Doc. No	GKB/O/P/FC/03
			Issue No.	03
			Issue Date.	2-11-2017
<b>SEMI-FINISHED DAYNITE FAST CHANGE LENSES</b>				
<b>RI 1.560</b>	<b>GREY &amp; BROWN</b>	<b>SINGLE VISION</b>		<b>70 MM</b>



*Tooling Index = 1.560*

BASE (dpt)	True curve (dpt)	Rcx (mm)	Rcc (dpt)	CT (mm)	ET (70mm)
PLANO	0.00	INFINITY	-6.25	4.80	12.50
0.50	0.61	920.00	-6.25	5.00	12.00
2.25	2.24	249.85	-6.25	5.70	11.00
3.25	4.00	140.08	-6.25	7.20	10.50
4.25	4.59	122.05	-6.25	6.90	9.50
5.25	5.64	99.32	-6.25	6.50	7.90
6.25	6.62	84.53	-6.25	6.50	6.50
7.25	7.43	75.42	-4.25	8.00	4.56
8.25	8.76	63.92	-4.25	9.00	3.75

**CT – CENTRE THICKNESS**  
**ET – EDGE THICKNESS**

<b>Prepared by</b>	<b>Approved by</b>	<b>Page 1 of 1</b>
<b>SURAJ AROLKAR</b>	<b>YESHWANT LAWANDE</b>	