

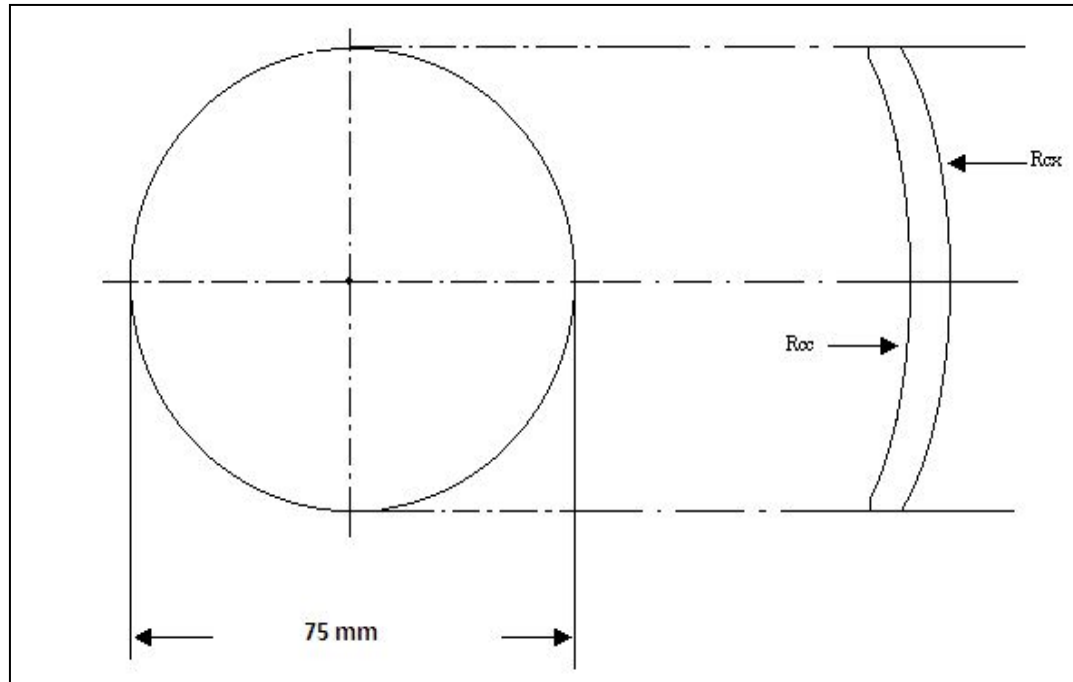
**SEMI-FINISHED DAYNITE FAST CHANGE LENSES**

**RI 1.560**

**GREY & BROWN**

**SINGLE VISION**

**75 MM**



*Tooling Index = 1.560*

BASE (dpt)	True curve (dpt)	R <sub>cx</sub> (mm)	R <sub>cc</sub> (dpt)	CT (mm)	ET (75mm)
2.25	2.24	249.85	-6.25	5.90	12.00
3.25	4.00	140.08	-6.25	7.20	11.00
4.25	4.59	122.05	-6.25	6.50	9.50
5.25	5.64	99.32	-6.25	6.50	8.10
6.25	6.62	84.53	-6.25	6.50	6.60
7.25	7.43	75.42	-4.25	7.00	2.92
8.25	8.76	63.92	-4.25	8.00	1.73

**CT – CENTRE THICKNESS  
ET – EDGE THICKNESS**

<b>Prepared by</b>	<b>Approved by</b>	<b>Page 1 of 1</b>
<b>SURAJ AROLKAR</b>	<b>YESHWANT LAWANDE</b>	